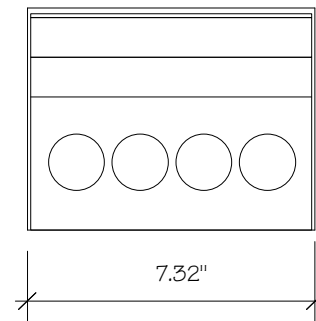
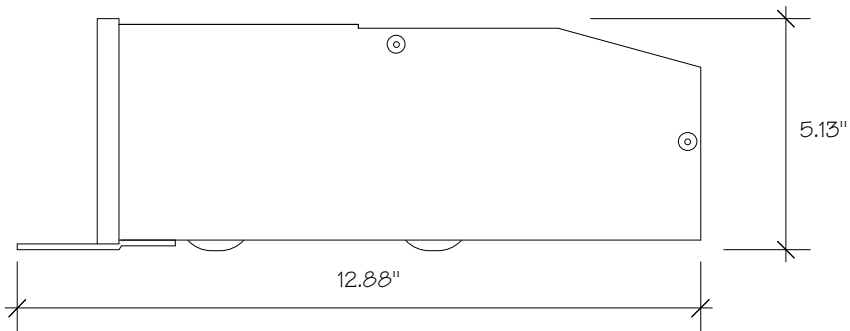
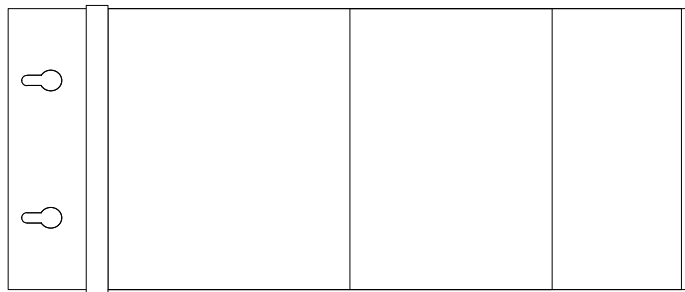


SPECIFICATIONS

1. OUTPUT VOLTAGE IS 24 VAC WITH 230 VAC APPLIED AND FULLY LOADED.
2. MAXIMUM NO LOAD CURRENT: 0.3A
3. ENCLOSURE TEMPERATURE DOES NOT EXCEED 65°C IN A 40°C AMBIENT, FULLY LOADED.
4. THE ACTUAL 1200VA TRANSFORMER IS ENCAPSULATED IN THE ENCLOSURE.
5. THE TRANSFORMER IS DIMMABLE WITH ALL DIMMERS THAT PROVIDE A SYMMETRICAL FORM OF CURRENT UNDER ANY CONDITION.
6. INPUT LEADS ARE 18AWG; OUTPUT LEADS ARE 12AWG. LEAD INSULATION IS 105°C.
7. THE TRANSFORMER USES A CLASS B (130°C) INSULATION SYSTEM.
8. THE TRANSFORMER HAS 2 MANUAL RESET MAGNETIC 25A CIRCUIT BREAKER ON THE SECONDARY SIDE.
9. WIRING COMPARTMENT HAS 4 KNOCKOUTS SIZED FOR 3/4 INCH SCREW CABLE CONNECTORS.
10. THE WIRING COMPARTMENT COVER IS HINGED WITH RIVETS AND OPENS VERTICALLY FROM BOTTOM TO TOP.
11. THE ENCLOSURE IS NEMA 3R RATED. SUITABLE FOR WET LOCATIONS.
12. THE TRANSFORMER IS CE MARKED IN ACCORDANCE WITH LOW-VOLTAGE DIRECTIVE 73/23/EEC.
13. WEIGHT: 28.8 lbs.



TOKISTAR LIGHTING INC.

1015 E. DISCOVERY LANE
ANAHEIM, CA 92801
TEL: 714 772 7005 FAX: 714 772 7014
email: info@tokistar.com Website: tokistar.com

T24/1200-230: 1200VA TRANSFORMER
INPUT: 230VAC / OUTPUT: 24VAC