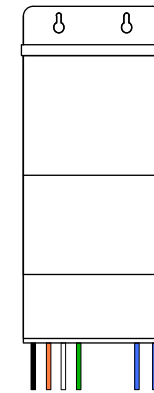
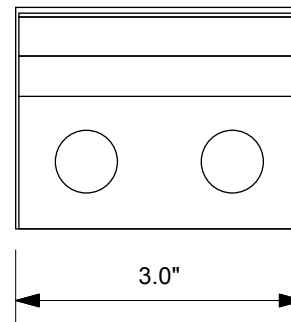
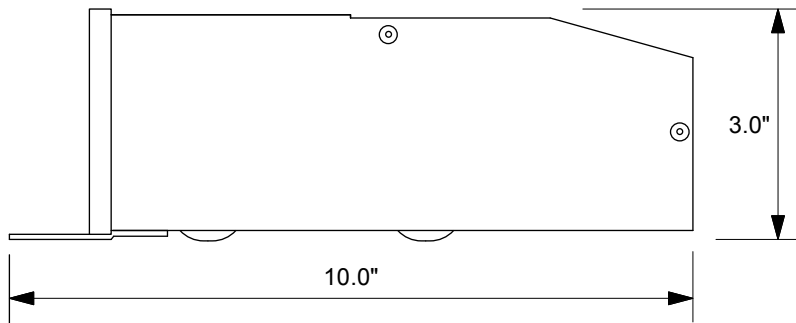
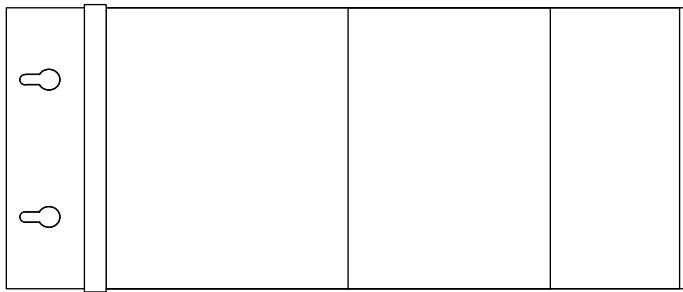


Specifications

1. Output voltage is 12 VAC with 120 VAC applied and fully loaded.
2. Maximum no load current: 0.3A
3. Enclosure temperature does not exceed 65°C in a 40°C ambient, fully loaded.
4. The actual 150VA transformer is encapsulated in the enclosure.
5. Maximum ambient temperature -30°C to 50°C
6. The transformer is dimmable with all dimmers that provide a symmetrical form of current under any condition.
7. Input leads are 18AWG; output leads are 12AWG. Lead insulation is 105°C.
8. The transformer uses a Class B (130°C) insulation system.
9. The transformer has a Manual Reset Thermal 20A circuit breaker on the secondary side.
10. Wiring compartment has 2 knockouts sized for 3/4 inch screw cable connectors.
11. The wiring compartment cover is hinged with rivets and opens vertically from bottom to top.
12. The Transformer enclosure is NEMA 3R rated.
13. The transformer is ETL Listed to UL Standard 2108 / Certified to CSA Standard.
14. Weight: 5 lbs



Input Wires Without Boost Tap:
Black & White
Input Wires With Boost Tap:
Orange & White
Ground: Green
Output Wires: Blue & Blue



TOKISTAR LIGHTING INC.

1015 E. DISCOVERY LANE
ANAHEIM, CA 92801
TEL: 714 772 7005 FAX: 714 772 7014
email: info@tokistar.com Website: tokistar.com

Specifications for T12/150

150VA Transformer Input: 120VAC / Output: 12VAC