

# Round Tea-Hat Pathway Light

The Round Tea-Hat Light redefines pathway illumination with its unique round hat design, offering an energy-efficient solution to brighten outdoor settings, backed by a durable construction..



## FEATURES

- Wattage adjustable
- Broad lumen range
- Low-voltage efficiency
- Warm color temperature
- Durable cast aluminum construction
- Hastle-free installation
- Spike-mounted for stability
- Sleek black finish
- Easy-connect 18/2 wire pigtail
- Long-lasting, 15 years warranty

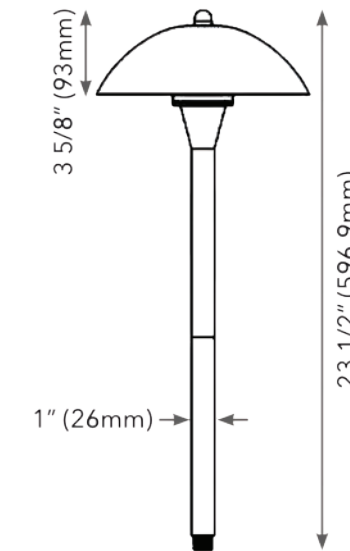
## APPLICATIONS

- Pathway lighting
- Landscape accent
- Garden paths
- Entrance lighting
- Recreational areas



SPECIFICATIONS		
<b>Product Code</b>	WF-03-12V-BLK	
<b>Electrical</b>	Input Voltage	9-17V AC/DC
	Power Consumption	1-3W
<b>Specs</b>	Colour Temperature	3000K
	CRI	85
	Lumen Output	80-240LM
	Efficacy (LM/W)	80
	Dimmable	No, but wattage adjustable
	IP Rating	IP65
	Beam Angle	150°
<b>LED</b>	Life Span	50,000 Hours
<b>Design</b>	Dimensions (Inches)	23 1/2 x 3 5/8 x 1"
	Dimensions (Millimeters)	597 x 93 x 26mm
	Finish	Black
	Material	Aluminum
	Operating Temperature	-40 to 40°C
	Approved Location	Outdoor
	Mounting	Via Stake
<b>Warranty</b>	15 years	
<b>Approvals</b>	cETLus	

## DIAGRAM



**NOTE:** Comes with a mounting stake to ensure a hassle-free installation.

## ACCESSORIES



### ACC-12G-2C-BUR

Landscape burial wire, 12G, 2C - 500ft spool

### ACC-12G-2C-BUR-XX

Landscape burial wire, 12G, 2C - custom cuts

**NOTE:** A transformer is required. See page 108 to 111.

