

Rotating CCT Scene Remote

This compact remote controls brightness and colour temperature via 2.4GHz wireless technology with a 30m range. It supports saving up to four scene presets and controls multiple devices simultaneously. Featuring a rotating dial for easy adjustments and magnetic mounting for simple installation, it's available in black or white.



FEATURES

- 2.4GHz wireless transmission technology with a 30m control range.
- Adjustable brightness and colour temperature for customized lighting.
- Controls multiple devices simultaneously for a unified setup.
- Supports saving up to four scene presets for quick access.
- Magnetic mounting for easy and secure installation.
- Compact design with a rotating dial for precise adjustments.
- Low power consumption with strong anti-interference capabilities.
- Fast communication speed for responsive control.
- Available in black or white to match various decors.

COMPATIBLE FIXTURES

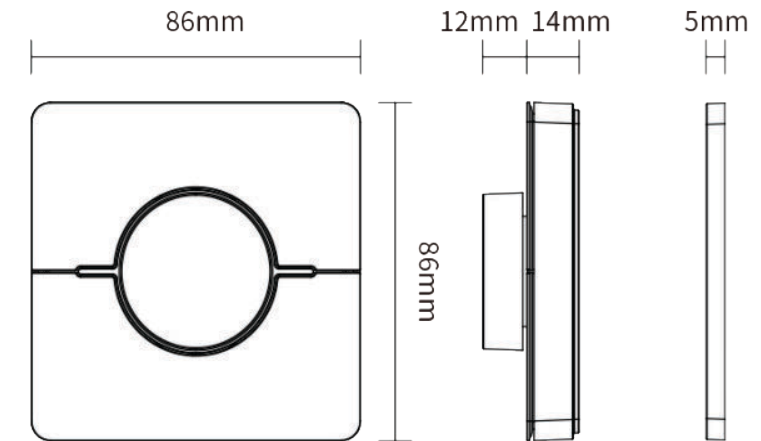
- Please refer to the 'LED Controllers List' section on page 163
- To be used with CCT controllers

SPECIFICATIONS		
Product Code	CNTRL-4Z-CCT-RWP-WH OR CNTRL-4Z-CCT-RWP-BK	
Electrical	Working Voltage	3V (AAA * 2PCS)
	Standby Power Consumption	6 Microamperes
	Transmitting Power	6dBm
Specs	RF	2.4GHz
	Control Distance	30m
	Modulation Method	GFSK
	Operating Temperature	-10 to 40°C
Dimensions	3.39 x 3.39 x 1.02 inches	
	86 x 86 x 26mm	
Approvals	RoHS	

PRODUCT CODES

CNTRL-4Z-CCT-RWP-WH (White)
OR
CNTRL-4Z-CCT-RWP-BK (Black)

DIAGRAM



FUNCTIONAL DIAGRAM

