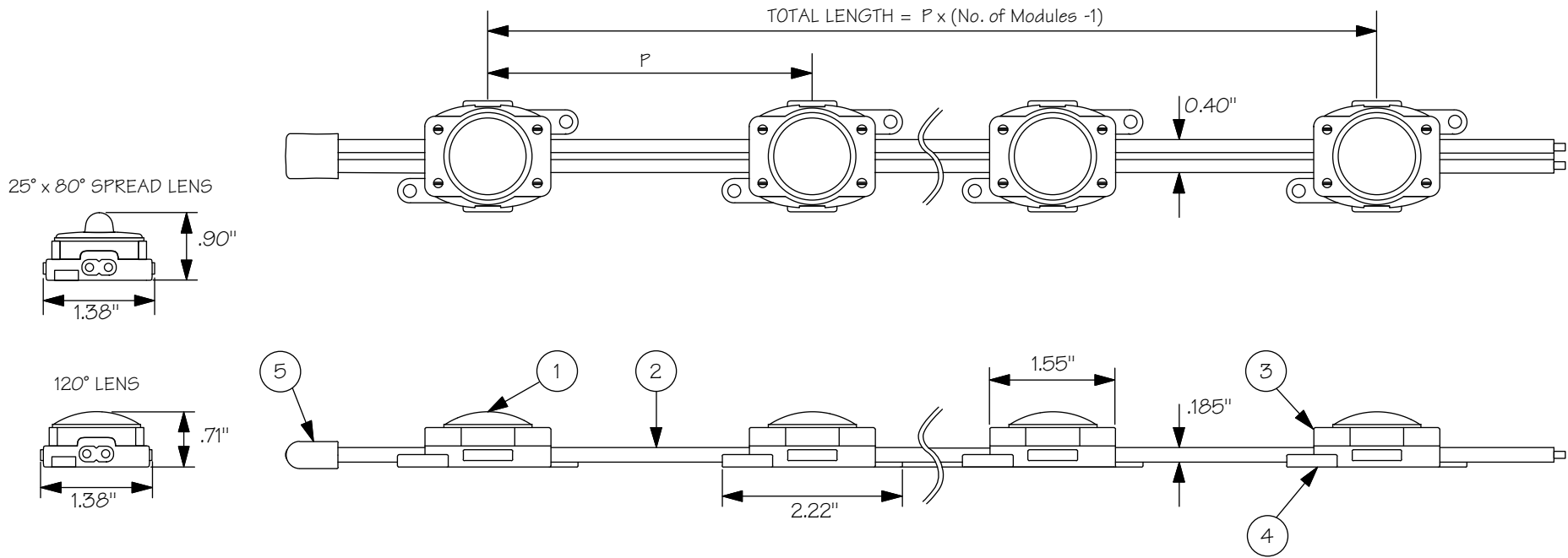


# REVELER RV SERIES



CATALOG#	P (INCH)	LENS	MAX. LENGTH	WEIGHT
RV-50-(2700K, 3000K, 5500K, BL)-120°	2 ± .08"	120°	22 FT.	162g / .36 lb PER FT.
RV-50-(2700K, 3000K, 5500K, BL)-5P	2 ± .08"	SPREAD	22 FT.	162g / .36 lb PER FT.
RV-100-(2700K, 3000K, 5500K, BL)-120°	4 ± .08"	120°	40 FT.	109g / .24 lb PER FT.
RV-100-(2700K, 3000K, 5500K, BL)-5P	4 ± .08"	SPREAD	40 FT.	109g / .24 lb PER FT.
RV-150-(2700K, 3000K, 5500K, BL)-120°	6 ± .08"	120°	50 FT.	83g / .18 lb PER FT.
RV-150-(2700K, 3000K, 5500K, BL)-5P	6 ± .08"	SPREAD	50 FT.	83g / .18 lb PER FT.

REVELER LED SPECIFICATIONS		
VOLTAGE: 12 VAC		
CURRENT: 150mA PER LED		
POWER: 1.8W PER LED		
LED CODE	COLOR	OUTPUT
2700K	2700K	66 Lm
3000K	3000K	68 Lm
5500K	5500K	77 Lm
BL	BLUE	20 Lm
LENS CODE	STYLE	
120D	120° LENS	
5P	25° x 80° SPREAD LENS	



## TOKISTAR LIGHTING INC.

1015 E. DISCOVERY LANE  
ANAHEIM, CA 92801  
TEL: 714 772 7005 FAX: 714 772 7014  
email: info@tokistar.com Website: tokistar.com

REVELER SERIES SUBMITTAL	NO.	PART	MATERIAL
CATALOG#: RV-(50, 100, 150)-(LED CODE)-(LENS CODE)	1	LED	SOLID STATE LED
DATE: MAY 26, 2020	2	CABLE	PVC INSULATION WITH PLATED #12 AWG X 2
DRAWN BY: R. CORDOVA	3	LED MODULE COVER	ALUMINUM DIE CAST
SCALE: 1:2	4	LED MODULE BASE	PBT/PET
	5	END CAP	PVC