

# Regressed Down Light (CCT)

Ideal for both new builds and remodeling projects, these versatile and cost-effective downlights come in two configurations: one allows to easily adjust the color temperature with a slider switch (2700/3000/4000K), while the other offers the flexibility of Bluetooth to select any color temperature from 2700K to 5000K.



## FEATURES

- Two convenient options: Slider Switch CCT adjustable and Bluetooth CCT adjustable
- Dimmable: Slider Switch CCT Adjustable with Electronic Low Voltage (ELV) dimmers, and Bluetooth CCT Adjustable through the smartphone app
- Two spring loaded clips to attach to any ceiling material
- White finish; Interchangeable satin nickel, black and bronze trim rings available (sold separately)
- Bluetooth CCT Adjustable linkable up to 100 fixtures, individual and zonal control possible through the smartphone app
- Regressed design to reduce glare
- Suitable for damp locations
- Temperature rating: -20°C to 45°C
- The driver is wired for 120V input
- Optional 347V Step-Down Transformer
- 50,000 hour life
- 3 years limited warranty

## APPLICATIONS

- Lobbies
- Office lighting
- Hallways
- Under cabinet
- Banquet halls
- In cabinet
- Elevators
- Wall mount for regress lighting
- Stairways
- Retail
- Under soffits (outdoor)
- Restaurants

## SPECIFICATIONS

Type	CCT Switch Adjustable		CCT Bluetooth Adjustable	
Product Code	RGL-4B-9W-SW (4")	RGL-6B-12W-SW (6")	RGL-4B-9W-BT (4")	RGL-6B-9W-BT (6")
Electrical	Input Voltage: 100-277V AC			
	Power Consumption: 9W	12W	9W	12W
Specs	Color Temperature: 2700/3000/4000K (Slider Switch CCT Adjustable)		2700-5000K (Bluetooth CCT Adjustable)	
	Lumen Output: 630LM	840LM	630LM	840LM
	Efficacy: 70LM/W			
	CRI: 90+			
	Dimmable: Yes			
	Beam Angle: 120°			
LED	Life Span: 50,000 Hours			
Design	Dimensions (Inches): .86 x .511"	.86 x .716"	.86 x .511"	.86 x .716"
	Dimensions (Millimeters): 22 x 130mm	22 x 182mm	22 x 130mm	22 x 182mm
	Installation Hole Size: 4.13" (105mm)	6.18" (157mm)	4.13" (105mm)	6.18" (157mm)
	Finish: White			
	Trim Finish: BK: Black, BZ: Bronze, SN: Satin Nickel			
	Operating Temperature: -20°C to 40°C			
	Approved Location: Indoor			
Mounting: Ceiling via spring loaded clips				
Warranty: 3 years				
Approvals: cETLus listed for damp locations and Energy Star				

## PRODUCT CODES

CCT SWITCH ADJUSTABLE  
RGL - 4B - 9W - SW  
RGL - 6B - 12W - SW

CCT BLUETOOTH ADJUSTABLE  
RGL - 4B - 9W - BT  
RGL - 6B - 12W - BT

TRIM RINGS  
(Sold Separately)  
RGL - 4 - TR - XX  
RGL - 6 - TR - XX

TRIM RING FINISH  
BK - Black  
BZ - Bronze  
SN - Satin Nickel

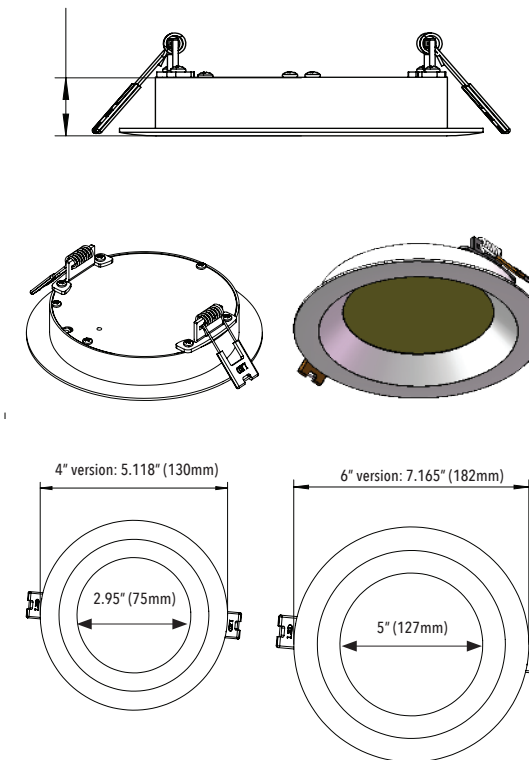
STEP-DOWN TRANSFORMERS

DLT-347  
Step-down transformer 347/120V AC 25VA (non-dimmable)

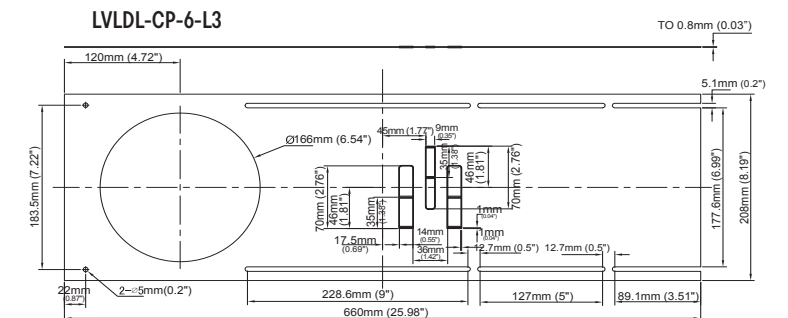
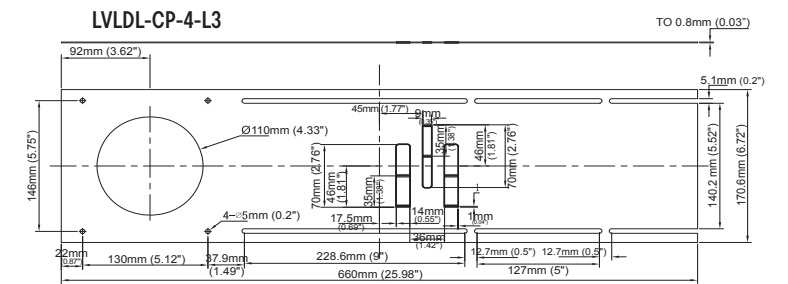
DLT-60-347  
Step-down transformer 347/120V AC 60VA (non-dimmable)

DLT-100-347  
Step-down transformer 347/120V AC 100VA (non-dimmable)

## DIAGRAM



## CONSTRUCTION PLATES



## ACCESSORIES



RGL-4-TR-XX  
RGL-6-TR-XX [XX= BK=(Black), BZ=(Bronze), SN=(Satin Nickel)]  
Trim Rings For 5 CCT LED Thin Line Down Light (sold separately).