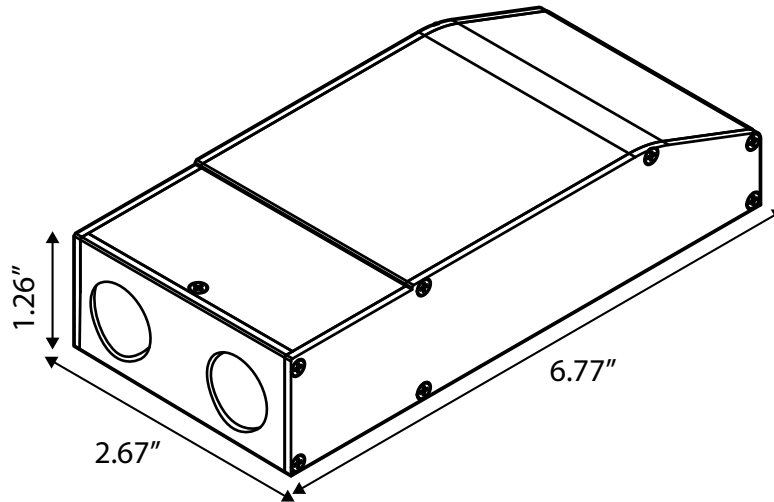


Features

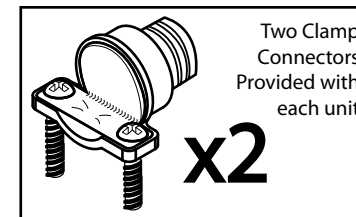
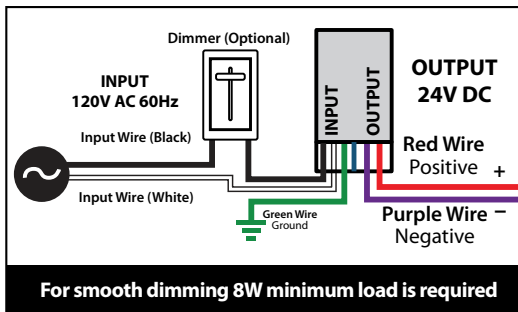
Dimmable with any standard MLV/Incandescent TRIAC-
(Leading edge) dimmer switch
Super compact ALUMINUM CASE.
Class 2
UL 8750
IP67 - Withstands wet and salty conditions.
Auto-Reset Protection for short circuits, over-voltage
and over-temperature.
FCC 15 part 2
24V DC True RMS



Specifications

| | |
|-----------------------------|-----------------------------|
| Max Load | 96W |
| Input Voltage | 120V AC |
| Input Current at Max Load | 1 A |
| Output Voltage | 24V DC |
| Output Current at Max Load | 4.2 A |
| Power Factor | 0.95 |
| Efficiency | > 90% |
| Operating Temp. | -20°C - 70°C (-4°F - 158°F) |
| Short circuit protection | Yes |
| Overcurrent | Yes |
| Over temperature | Yes |
| Open circuit protection | Yes |
| Input Wires (White \ Black) | 14 AWG |
| Output Wires (Red \ Purple) | 18 AWG |
| Dimensions L*W*H | 6.77" x 2.67" x 1.26" |
| Weight | 17 oz |

Installation



Revisions:

| | | |
|---|--|--|
| 4 | | |
| 3 | | |
| 2 | | |
| 1 | | |



Project:

Part number: MLDRE-96-24-DM

Scale: NTS

Product: ELECTRONIC LED DRIVER 96W 24V DC IP67 DIMMABLE

Type:

Date: