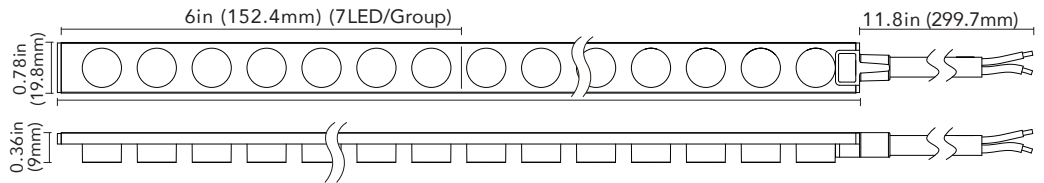


The LED Wall Washer is the ideal solution for architectural, signage, and landscape lighting applications.



Features

- Safe 24V DC operation
- Low power consumption: 5.8W/FT
- Suitable for indoor and outdoor use
- Beam angle: 30°
- Available in 2700K, 3000K, 4000K colour temperatures
- Dimmable with dimmable drivers
- Field cuttable every 6". Custom cuts available.
- Long life 30, 000 hours
- cULus certified for wet locations
- 3 year limited warranty

Specifications

| | |
|-----------------------|--|
| Colour Temperature | 2700K, 3000K, 4000K |
| Input Voltage | 24V DC |
| Power Consumption (W) | 5.8W/FT |
| Luminous Flux | 580LM/FT(2700K), 610LM/FT(3000K), 640LM/FT(4000K) |
| Efficacy | 100LM/W (2700K), 105LM/W (3000K), 110LM/W(4000K) |
| LEDs | SMD2835 |
| CRI | 90+ |
| Max Run | 16 FT |
| Life Span (hours) | 30,000 |
| Beam Angle | 30° |
| Approvals | cULus for wet locations |

Ordering Codes:

ES-LS2835-27K-42-24-30

ES-LS2835-30K-42-24-30

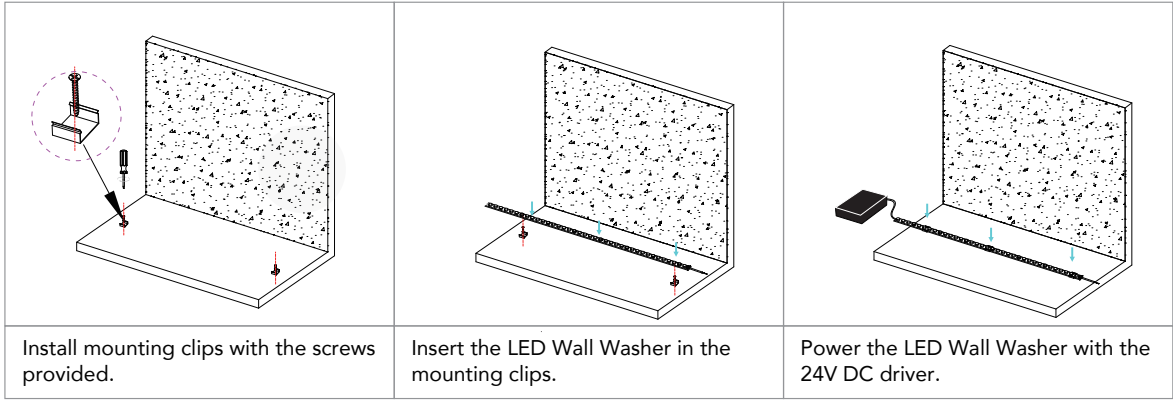
ES-LS2835-40K-42-24-30

NOTE:

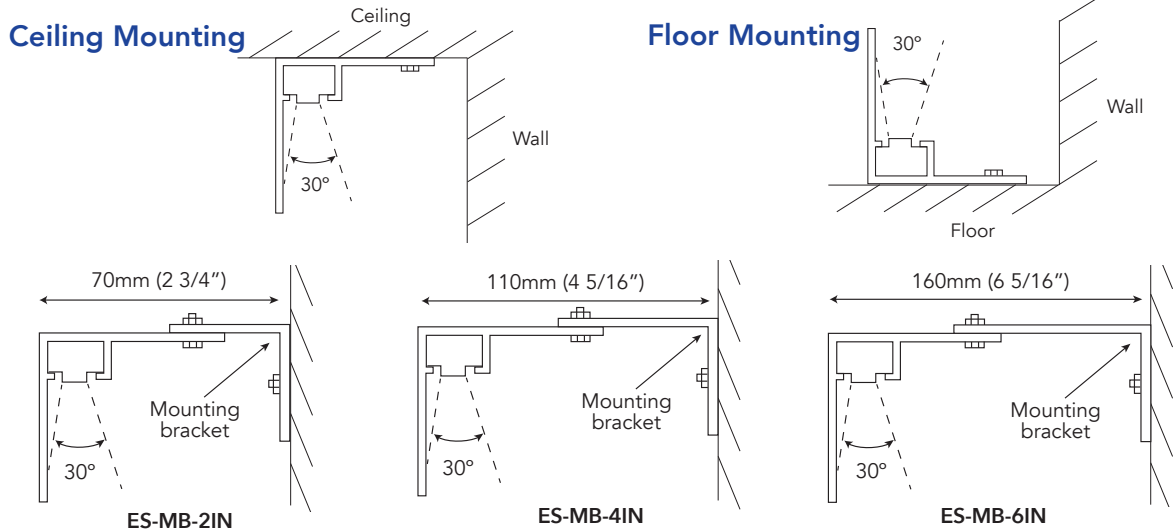
The product is sold in 33FT rolls, but the maximum single run is 16FT. Custom lengths available.

| | | | |
|---------|--|---------|--|
| Project | | Type | |
| Date | | Contact | |
| Notes | | | |

Mounting Clips Installation



Installation with "L" type extrusion to reduce glare



Accessories:



ES-PFC-6FT
6FT Power Feed Connector



ES-JC-6IN
6IN Jumper Cable

ES-JC-12IN
12IN Jumper Cable

ES-JC-3FT
3FT Jumper Cable

ES-JC-6FT
6FT Jumper Cable

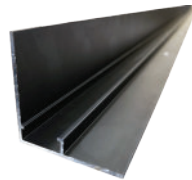


ES-EC
End Cap



NFLX-GLUE
Glue

Extrusions:



ES-EXT
Aluminum extrusion (8FT), anodized black, for ceiling or floor mounting. For wall mounting, please see the wall mounting brackets.



Three wall mounting brackets available to enhance the wall washing effect in various applications.

ES-MB-2IN
2IN Wall Mounting Bracket

ES-MB-4IN
4IN Wall Mounting Bracket

ES-MB-6IN
6IN Wall Mounting Bracket



ES-MC
Mounting Clips (4pcs/bag)

Indoor/Outdoor Dimmable Drivers

MLDRE-40-24-DM
6.77" X 2.67" X 1.26" (171 X 68 X 32mm)

MLDRE-96-24-DM
6.77" X 2.67" X 1.26" (171 X 68 X 32mm)

Non-Dimmable Drivers

MLDR-120-24
Indoor/Outdoor driver 120W hardwire
Input: 100 - 240V AC; Output: 24V DC
10" x 3 3/8" x 3 3/16" (254 x 85.7 x 80.9mm)