

LED Thin-Line Round Down Light GEN III

Thin-line LED Down Lights are a breakthrough in LED down light technology. Designed for remodel and new construction, wet locations listed, Thin-Line Down Lights are a versatile and affordable choice for countless applications.

FEATURES

- Energy Star rated - up to 80% energy savings
- Dimmable to 5% with most ELV dimmers
- Ultra thin design
- Suitable for wet locations
- 120° beam spread
- No IC can required
- Temperature rating: -20°C-45°C
- Airtight
- The driver is wired for 120V input
- 50,000 hour life
- 5 year limited warranty
- Airtight
- cETLus and Energy Star listed
- White finish
- Interchangeable brushed nickel, black and bronze trim rings available (sold separately)



APPLICATIONS

- Kitchens & Pantries
- Laundry Rooms
- Bathrooms
- Lobbies
- Hallways
- Banquet Halls
- Elevators
- Retail lighting
- Restaurants
- Offices

SPECIFICATIONS

| | 3 inch | 4 inch | 6 inch | 8 inch | 10 inch |
|---------------------------------|---|--|--|---|---|
| LED Colour | White | | | | |
| Colour Temperature | 3000K / 4000K | | | | |
| Input Voltage | 120V | | | | |
| Power Consumption (W) | 6 | 9 | 12 | 15 | 20 |
| No. SMD2835 LEDs | 36 | 48 | 72 | 96 | 120 |
| Lumens | | | | | |
| WW | 487 | 701 | 1046 | 1152 | 1776 |
| NW | 492 | 719 | 1079 | 1276 | 1786 |
| CRI | 80+ | | | | |
| Dimmable | 120V only | | | | |
| Life Span (hours) | 50,000 hrs | | | | |
| Appearance Size D1 x D2 x H | 3.15" x 3.74" x 0.5" (80mm x 95mm x 13mm) | 4.17" x 4.73" x 0.5" (106mm x 120mm x 13mm) | 6.14" x 6.85" x 0.5" (156mm x 174mm x 13mm) | 8.15" x 8.9" x 0.5" (207mm x 226mm x 13mm) | 10" x 10.79" x 0.5" (254mm x 274mm x 13mm) |
| Installation Hole Size | 3.35" (85mm) | 4.33" (110mm) | 6.3" (160mm) | 8.27" (210mm) | 10.16" (258mm) |
| Dimensions (J-Box) L x W x H | 4.8" x 2.05" x 1.86" (122mm x 52mm x 47.3mm) | 3.74" x 3.5" x 1.3" (95mm x 89mm x 33mm) | 3.74" x 3.5" x 1.3" (95mm x 89mm x 33mm) | 3.74" x 3.5" x 1.3" (95mm x 89mm x 33mm) | 3.74" x 3.5" x 1.3" (95mm x 89mm x 33mm) |

PRODUCT CODES

ROUND

LVLDL - YY - XX - WH - R - L3

LED Thin Line
Down Lights
Gen III

SIZE
03 - 3"
04 - 4"
06 - 6"
08 - 8"
10 - 10"

LED COLOUR
WW - 3000K
NW - 4000K

ROUND TRIM RINGS

(Sold Separately)

LVLDL - **03** - TR - **XX** - L3
LVLDL - **04** - TR - **XX** - L3
LVLDL - **06** - TR - **XX** - L3
LVLDL - **08** - TR - **XX** - L3
LVLDL - **10** - TR - **XX** - L3

TRIM RING FINISH

BK - Black
BZ - Bronze
BN - Brushed Nickel

BEAUTY RINGS

(Sold Separately)

LVLDL - BR - **3** - L3
LVLDL - BR - **4** - L3
LVLDL - BR - **6** - L3
LVLDL - BR - **8** - L3
LVLDL - BR - **10** - L3

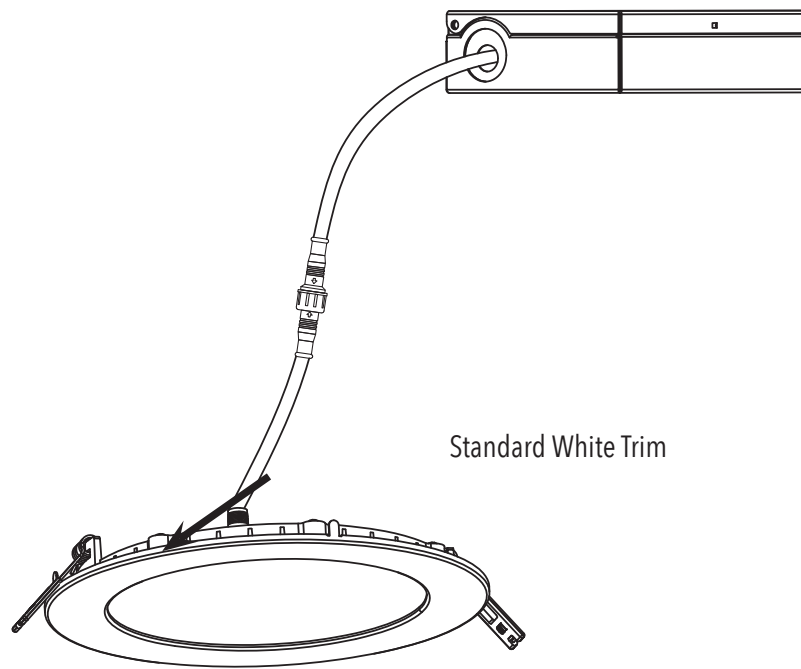
† White finish only.

STEP-DOWN TRANSFORMERS

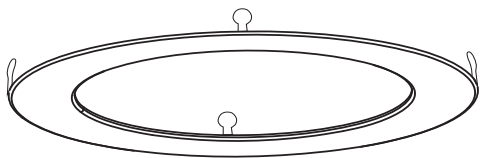
DLT-347
Step-down transformer
347/120V AC 25VA
(non-dimmable)
DLT-60-347
Step-down transformer
347/120V AC, 60VA
(non-dimmable)
DLT-100-347
Step-down transformer
347/120V AC, 100VA
(non-dimmable)

EXTENSION CORDS (for remote driver placement)

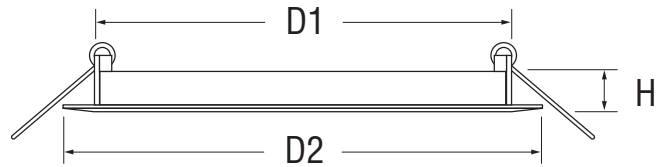
LV-DL-EX-10-L
10Ft extension cord
LV-DL-EX-30-L
30Ft extension cord



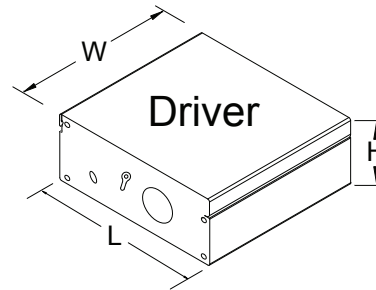
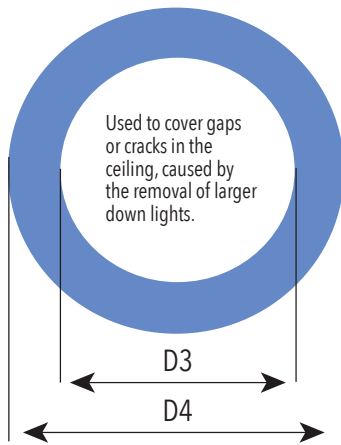
Standard White Trim



Interchangeable brushed nickel, black and bronze trim rings available (sold separately).

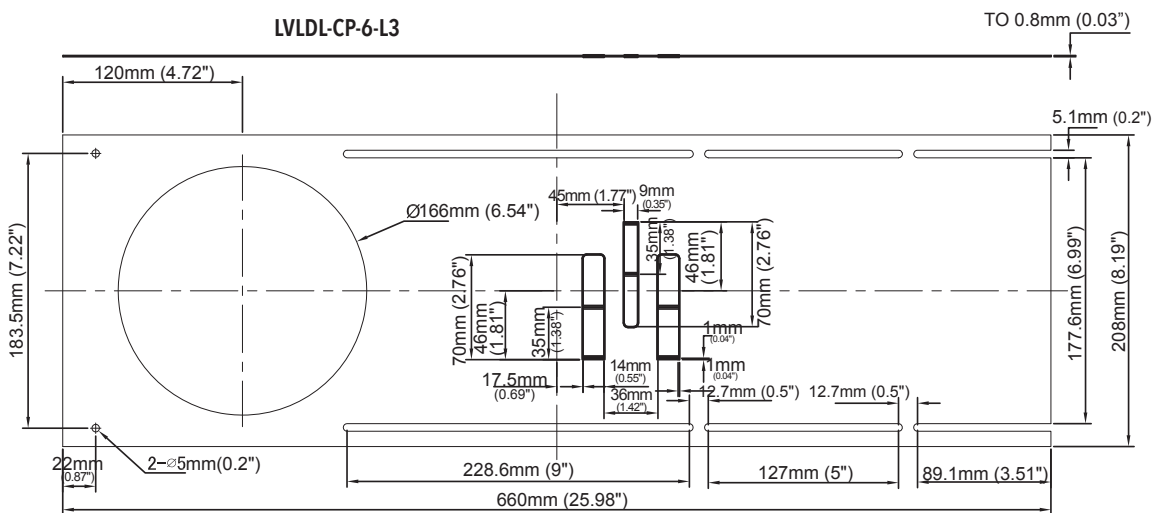
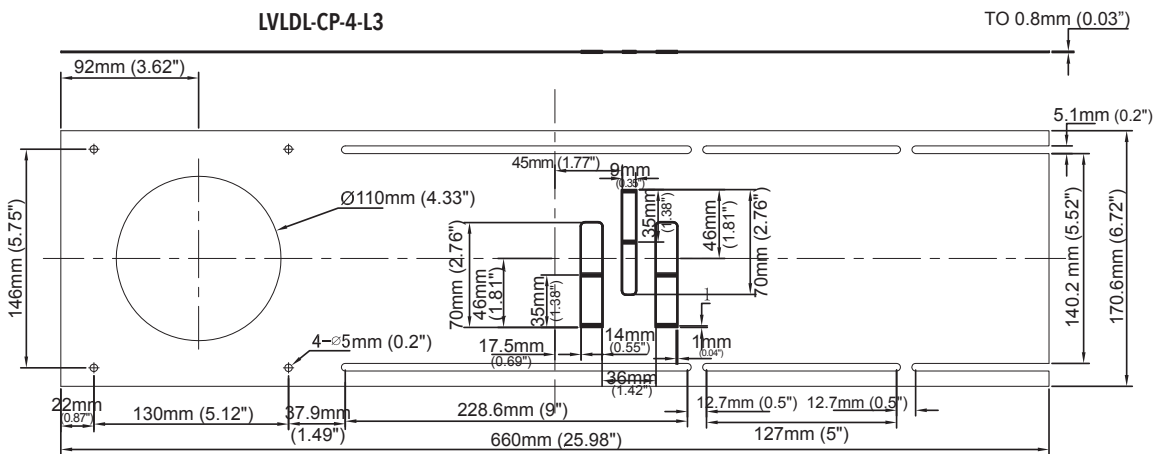
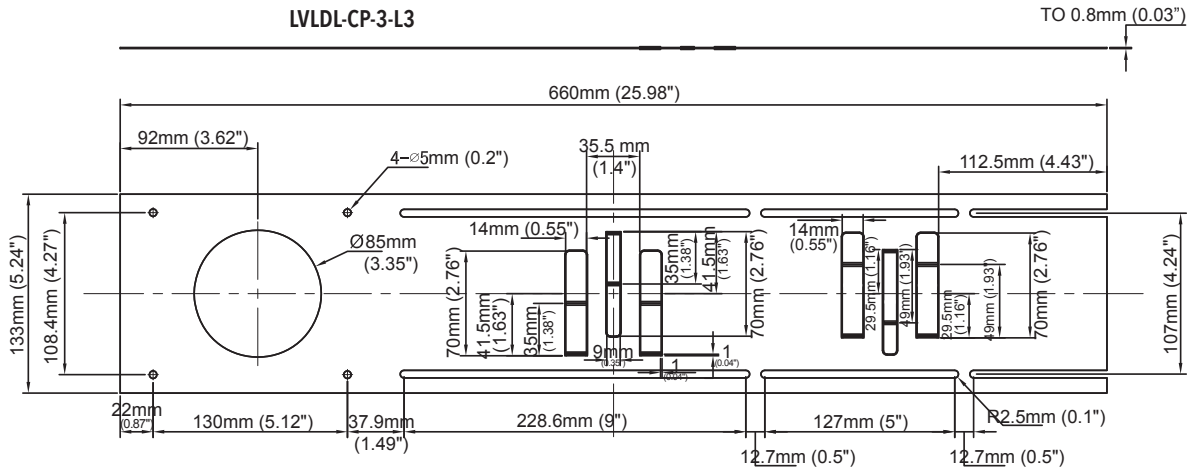


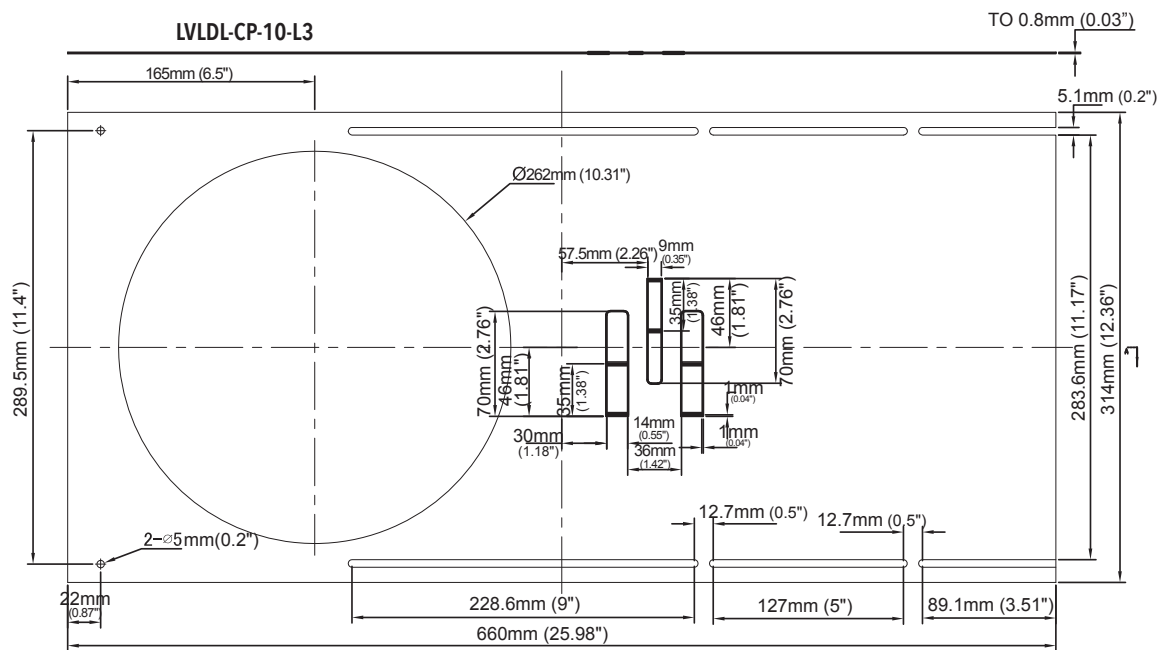
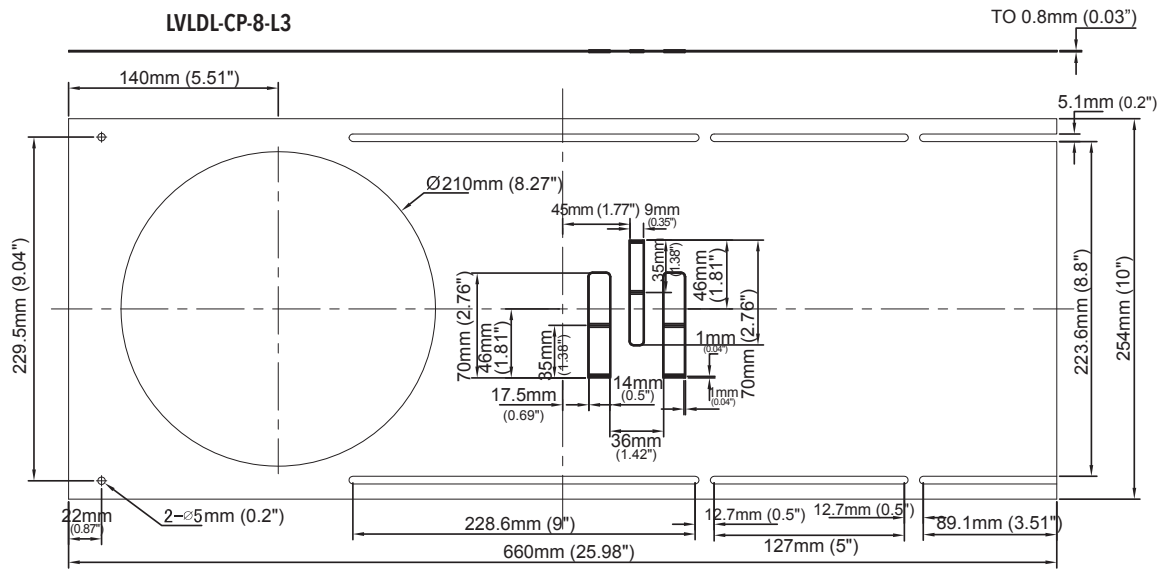
BEAUTY RINGS



| Size | D3 | D4 |
|------|----------------|----------------|
| 3" | 84mm (3.31") | 114mm (4.49") |
| 4" | 109mm (4.29") | 139mm (5.47") |
| 6" | 160mm (6.3") | 194mm (7.64") |
| 8" | 210mm (8.27") | 245mm (9.65") |
| 10" | 261mm (10.28") | 293mm (11.54") |

CONSTRUCTION PLATES





LED Thin-Line Square Down Light GEN III

Designed for remodel and new construction, wet locations listed, Thin Line Down Lights are a versatile and affordable choice for countless applications.



FEATURES

- Low profile, perfect for shallow ceiling plenums
- No IC can required, for direct contact with insulation and combustible materials
- Two spring loaded clips to attach to any ceiling material
- 120 degrees beam spread
- Edge lit technology eliminates hot spots
- 80+ CRI
- Temperature rating: -20°C-45°C
- 50,000 hours life
- Dimmable with most ELV dimmers
- cETLus listed for wet locations
- White finish
- Interchangeable brushed nickel, black and bronze trim rings available (sold separately)

APPLICATIONS

- Kitchens & Pantries
- Laundry Rooms
- Bathrooms
- Lobbies
- Hallways
- Banquet Halls
- Elevators
- Retail lighting
- Restaurants
- Offices

SPECIFICATIONS

| | 4 inch | 6 inch |
|-----------------------------------|--|--|
| Power Consumption (W) | 9W | 12W |
| Lumens | | |
| 3000K | 627 | 962 |
| 4000K | 704 | 1069 |
| Dimming | Yes | |
| Appearance Size D1 x D2 x H | 4.17" x 4.73" x 0.5" (106mm x 120mm x 13mm) | 6.14" x 6.73" x 0.5" (156mm x 171mm x 13mm) |
| Dimensions (J-Box) D1 x D2 x H | 3.74" x 3.5" x 1.3" (95mm x 89mm x 33mm) | |
| Installation Hole Size | 4.33" (110mm) | 6.3" (160mm) |
| Colour Rendering Index | 80+ | |
| Input Voltage | 120V | |
| Colour Temperature | 3000K / 4000K | |
| LEDs | Epistar | |
| Power Factor | 0.95 | |

PRODUCT CODES

SQUARE

LVLDL - YYS - XX - WH - R - L3

| | | |
|---|----------------|-------------------|
| LED Thin Line Square Down Lights Gen III | SIZE | LED COLOUR |
| | 04 - 4" | WW - 3000K |
| | 06 - 6" | NW - 4000K |

SQUARE TRIM RINGS

(Sold Separately)

LVLDL - **04S** - TR - **XX** - L3
LVLDL - **06S** - TR - **XX** - L3

TRIM RING FINISH

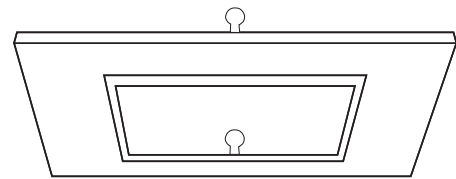
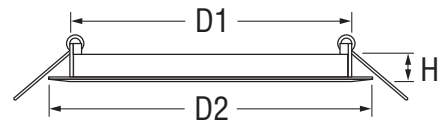
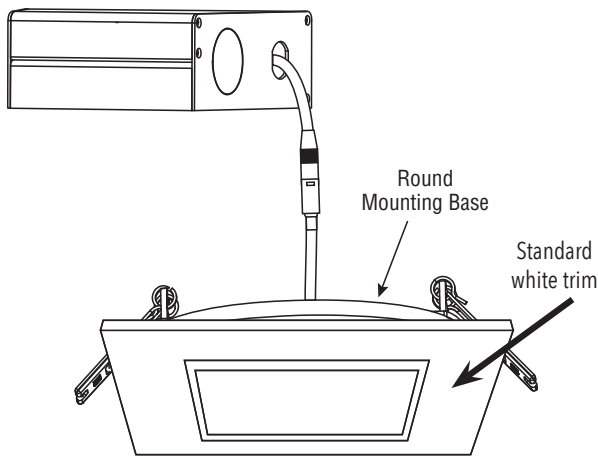
BK - Black
BZ - Bronze
BN - Brushed Nickel

STEP-DOWN TRANSFORMERS

DLT-347
Step-down transformer
347/120V AC 25VA
(non-dimmable)
DLT-60-347
Step-down transformer
347/120V AC, 60VA
(non-dimmable)
DLT-100-347
Step-down transformer
347/120V AC, 100VA
(non-dimmable)

EXTENSION CORDS (for remote driver placement)

LV-DL-EX-10-L
10Ft extension cord
LV-DL-EX-30-L
30Ft extension cord



Interchangeable brushed nickel, black and bronze trim rings available (sold separately).

CONSTRUCTION PLATES

