

# LED Gimbal Down Lights

Our new and improved directional LED Gimbal Down Lights, are the perfect solution for a multitude of residential and commercial applications. The adjustable LED gimbal fixtures are 80% more efficient than incandescent luminaires and they are available in multiple trim finish options to match any style of décor.



## GDL-3

### FEATURES

- Energy efficient - up to 80% energy savings
- High Brightness COB LED's
- Low power consumption
- Warm White and Neutral White colour temperatures
- Available in two beam angles
- New Construction, IC and remote installations
- cETLus listed for direct contact with insulation and combustible materials
- Easy to install, modular design
- 50,000 hour life
- 3 year limited warranty

### RESIDENTIAL APPLICATIONS

- Kitchens
- Pantries
- Laundry rooms
- Bathrooms

### COMMERCIAL APPLICATIONS

- Lobbies
- Hallways
- Elevators
- Stairways
- Retail
- Restaurants
- Office lighting

### PRODUCT CODES

**GDL - 3 - 9W - ZZ - XX - YY**

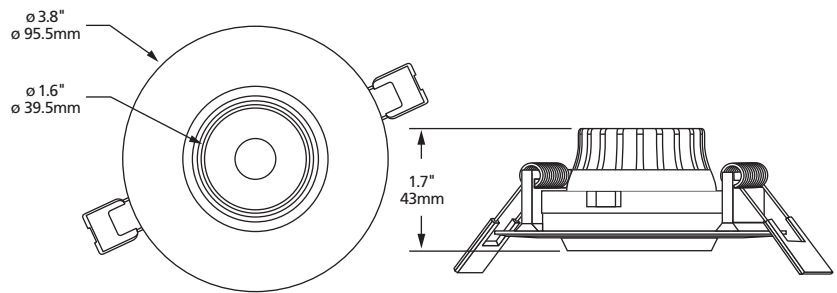
LED	BEAM ANGLE	LED COLOUR	TRIM FINISH
Gimbal	25° - 25°	WW - 3000K	WH - White Gloss Enamel
Down	36° - 36°	NW - 4000K	BK - Black
Light			BZ - Bronze
			SN - Satin Nickel

Note : WH finish is stock, all other options are special order, MOQ required.

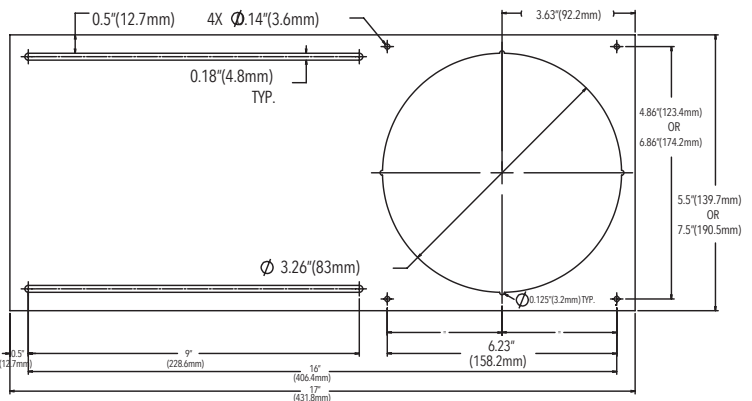
### SPECIFICATIONS

Power Consumption	9W
Input Voltage	21V DC*, 320mA constant current
Beam Angle	25/36°
Colour Temperature	
WW	3000K
NW	4000K
Lumens	
WW	650
NW	700
Size (mm)	43 X 95.5
Approvals	cETLus listed for damp locations

\* Each fixture ships with one constant current power supply.



### LVLDL-CP-3



# LED Gimbal Down Lights

Our new and improved directional LED Gimbal Down Lights, are the perfect solution for a multitude of residential and commercial applications. The adjustable LED gimbal fixtures are 80% more efficient than incandescent luminaires and they are available in multiple trim finish options to match any style of décor.



## GDL-4

### FEATURES

- Energy efficient - up to 80% energy savings
- High Brightness COB LED's
- Low power consumption
- Warm White and Neutral White colour temperatures
- Available in two beam angles
- New Construction, IC and remote installations
- cETLus listed for direct contact with insulation and combustible materials
- Easy to install, modular design
- 50,000 hour life
- 3 year limited warranty

### RESIDENTIAL APPLICATIONS

- Kitchens
- Pantries
- Laundry rooms
- Bathrooms

### COMMERCIAL APPLICATIONS

- Lobbies
- Hallways
- Elevators
- Stairways
- Retail
- Restaurants
- Office lighting

### PRODUCT CODES

**GDL - 4 - 12W - ZZ - XX - YY**

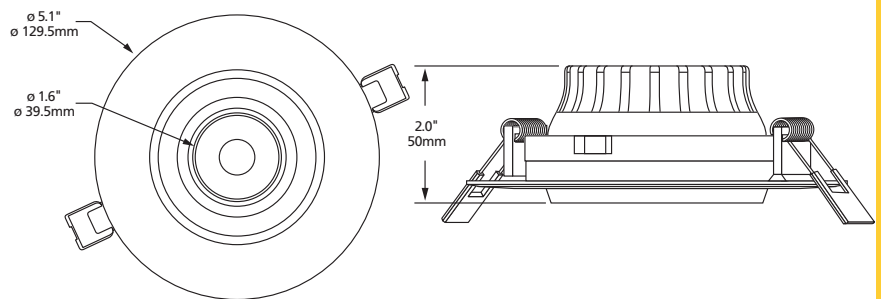
<b>LED</b>	<b>BEAM ANGLE</b>	<b>LED COLOUR</b>	<b>TRIM FINISH</b>
Gimbal	25 - 25°	WW - 3000K	WH - White Gloss
Down	36 - 36°	NW - 4000K	Enamel
Light			BK - Black
			BZ - Bronze
			SN - Satin Nickel

Note : WH finish is stock, all other options are special order, MOQ required.

### SPECIFICATIONS

Power Consumption	12W
Input Voltage	30V DC*, 320mA constant current
Beam Angle	25/36°
Colour Temperature	
WW	3000K
NW	4000K
Lumens	
WW	870
NW	930
Size (mm)	50 X 129.5
Approvals	cETLus listed for damp locations

\* Each fixture ships with one constant current power supply.



### LVLDL-CP-4

