



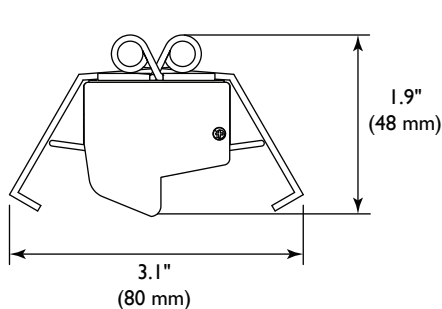
TOKISTAR LIGHTING INSTRUCTION MANUAL

Light Veil™ Series

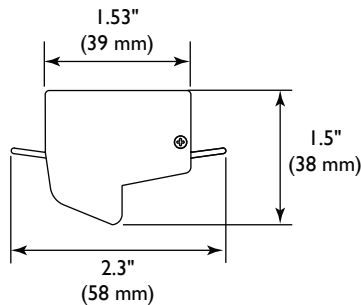
24 VDC

General Description

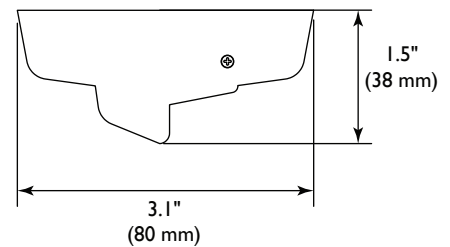
Tokistar's Light Veil Series operates from 24 VDC Class 2 LED Drivers. Light Veil fixtures are supplied fully assembled and cannot be modified in the field. The maximum individual fixture length is 94.875". The maximum overall length when connecting fixtures is 15.75'. Light Veil can be provided for surface mount and recessed applications. Each fixture is labeled with wattage and operating voltage.



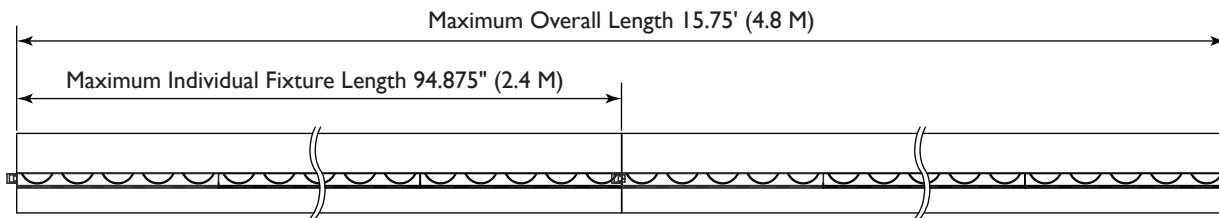
LVRH Series
Recessed with Hinge



LVRS Series
Recessed in Surface

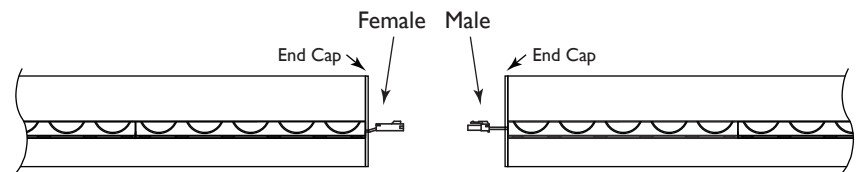


LVSM Series
Surface Mount



Multiple Length Assemble

Light Veil fixtures are provided with male & female connectors and end caps. For ease in connecting runs exceeding 12 Light Bars remove end caps.



⚠ PRECAUTIONS

1. Read all instructions completely before beginning installation.
2. Turn off electricity before beginning installation.
3. All wiring is to be performed by a qualified electrician.
4. Installation must comply with the National Electrical Code, and all applicable codes.
5. Turn main supply to the Power Supply on only after all connections have been made and tested.
6. Use only LED Drivers provided by Tokistar with the system.
7. Do Not Modify Light Veil fixtures in the field.

TOKISTAR® LIGHTING

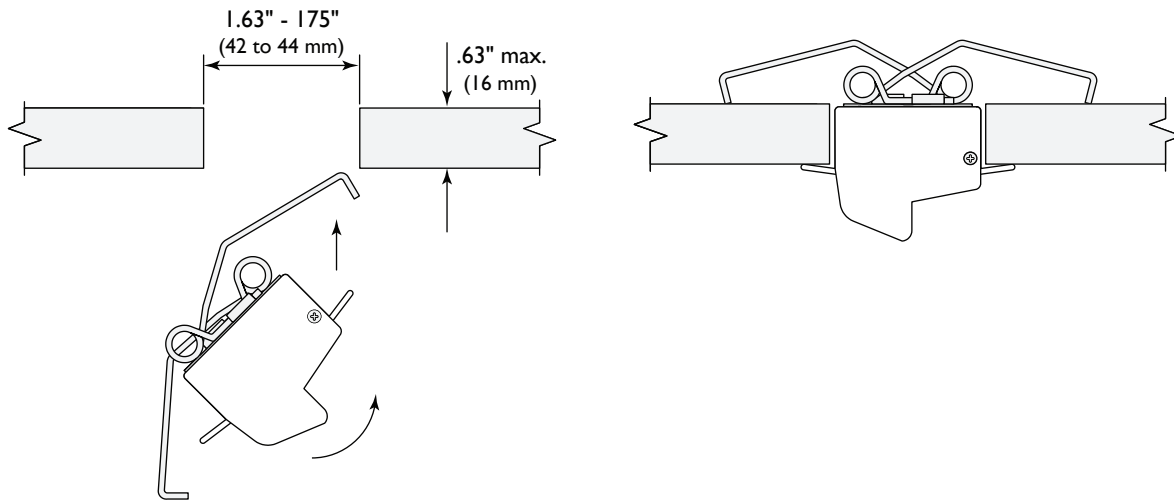
1015 E. Discovery Lane
Anaheim, CA 92801

TEL: 714 772 7005 FAX: 714 772 7014

email: info@tokistar.com Website: tokistar.com

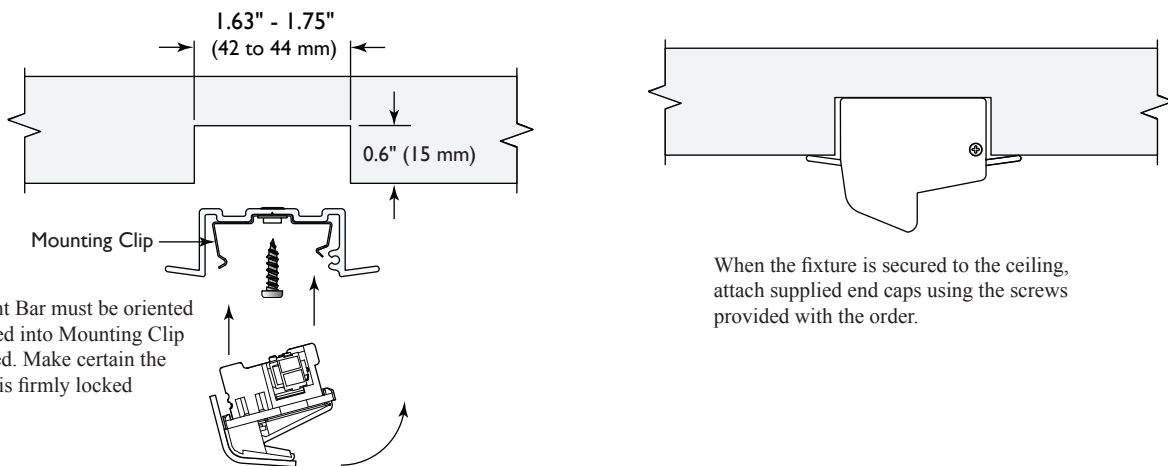
LVRH Series

Rotate LVRH fixture while raising one of the springs at the end of the fixture, then insert into opening. After the spring locks into place, repeat the same process with other springs on the fixture.



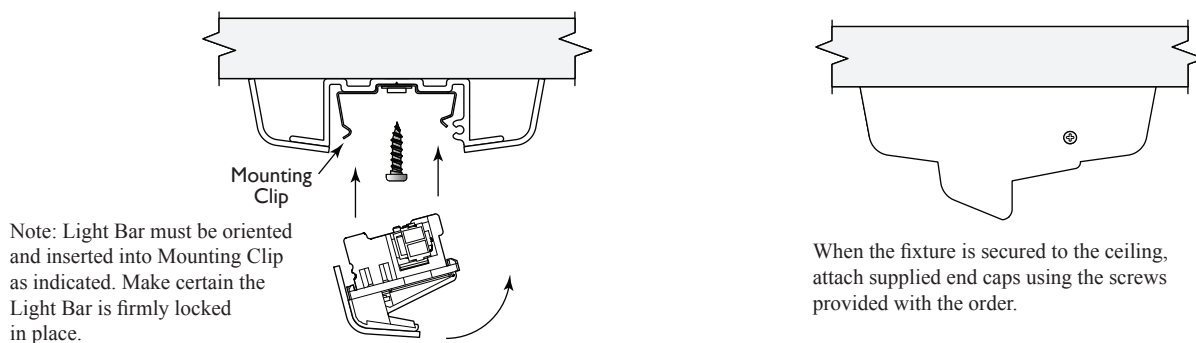
LVRS Series

Attach LVRS base with screws at 12" o.c. Rotate Light Bar as indicated and insert into mounting clip. Insert opposite end of Light Bar into the mounting clip to securely lock it in place.



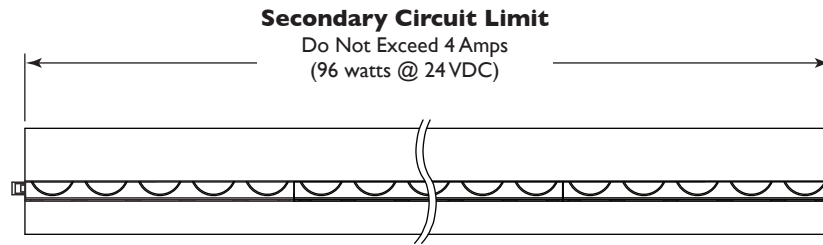
LVSM Series

Attach LVSM base with screws at 12" o.c. Rotate Light Bar as indicated and insert into mounting clip. Insert opposite end of Light Bar into the mounting clip to securely lock it in place.



Secondary Circuit Wiring

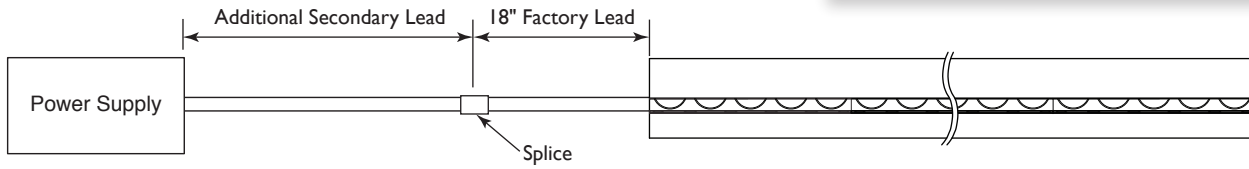
A maximum length of 15.75' (4 Amps) can be powered on one circuit from the power supply.



Recommended Lead Wire Size

The distance from the power supply to the fixture, and the load of the fixture, will determine the proper size of secondary wire. Fixtures are provided with a 18" lead. If additional wire needs to be attached, refer to the recommendations in this chart.

Secondary Lead Wires	
Wire Size	Wire Length
#16 AWG	50' (15 M)
#14 AWG	75' (23 M)
#12 AWG	100' (30 M)
#10 AWG	150' (46 M)



LED Driver Installation

LDR24-96

This 96 Watt Class 2 LED Driver converts an AC input into a 24 VDC output. Refer to the manual provided with the LED Driver for detailed installation instructions.

Part#	Input Volts	Output Volts	Output Ratings
LDR24-96	100~277	24VDC	1 @ 4 Amps

LDR24-192

Tokistar's LDR24-192 has two independent 96 watt outputs. If the system is dimmed, each of the outputs requires an independent dimmer pack. This unit has wiring compartments for splicing on input and output leads, and can be connected directly to conduit. Refer to the manual provided with the LED Driver for detailed installation instructions.

Part#	Input Volts	Output Volts	Output Ratings
LDR24-192	100~277	24VDC	2 @ 4 Amps

LC-1CH-MULTI Dimming System

Dimmer Pack - Part #: LC-1CH-MULTI

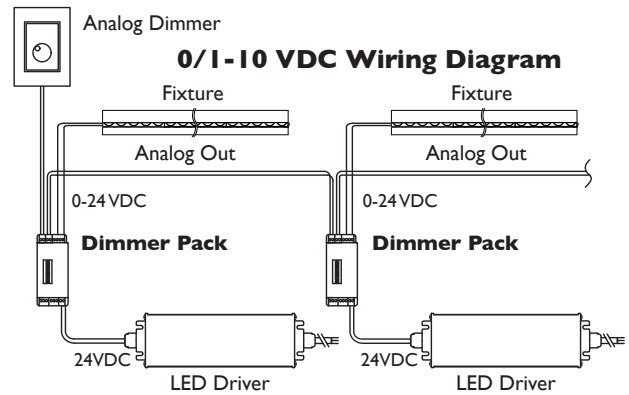
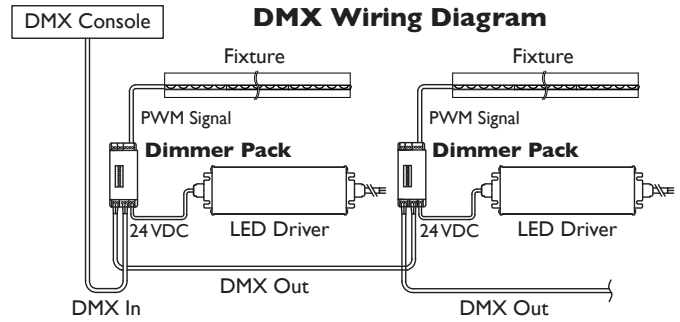
Each dimmer pack receives 24 VDC from an LED Driver. The LDR24-192 LED Driver has two independent 96 watt outputs. Each output requires an independent dimmer pack.

DMX Mode - Each unit is independently addressable. Up to 36 dimmer packs may be connected in series. For applications exceeding 36 dimmer packs, an additional feed from the DMX dimmer is required. The additional feed(s) can be sent directly from the dimmer, or you may use DMX Splitters. Consult factory on details of DMX Splitters.

Analog Modes - For operation from devices using 0/1-10VDC protocol, up to 10 dimmer packs may be connected in series. For applications exceeding 10 dimmer packs, an additional feed from the analog dimming device is required.

Manual Mode - You may select a light intensity the fixtures will operate at. In this case, no external dimming device is required.

For further information, refer to the instruction manual provided with the LC-1CH-MULTI.



Dual output LED drivers require a dimmer pack for each output.

LC Dimming System

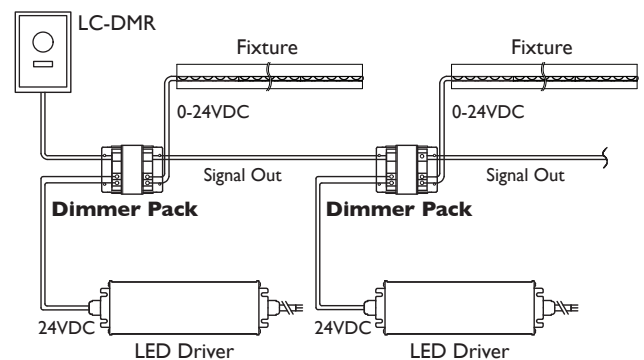
Wall Dimmer - Part #: LC-DMR

Power to the remote wall dimmer is provided from the LED Driver powering the first Dimmer Pack. A 50 foot CAT5 cable is provided.

Dimmer Pack - Part #: LC-1CH-DP

Each dimmer pack receives 24 VDC from an LED Driver. A CAT5 cable is provided with each unit. Up to 25 dimmer packs may be connected in series if the total length of all CAT5 cable does not exceed 165 feet from the wall dimmer to the last dimmer pack.

For further information, refer to the instruction manual provided with the LC-1CH-DP.



PRECAUTION

All dimming components are rated for dry location only. They must be installed within an enclosure suitable for the environment.