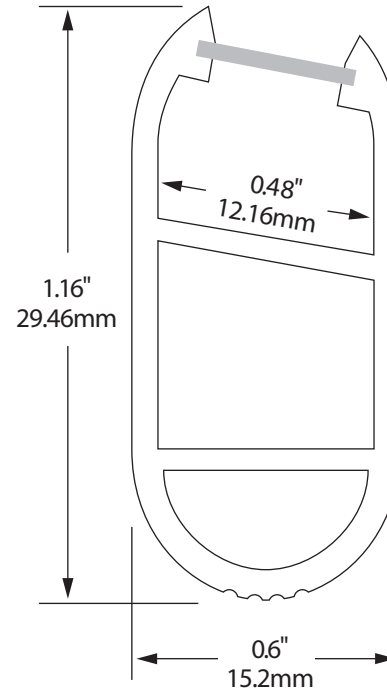


LV-1401

Closet aluminum extrusion with mounting brackets and frosted PC cover



NOTE: 1M (39") extrusion ships complete with two mounting end caps and one support

| | | |
|---|--|--|
| 4 | | |
| 3 | | |
| 2 | | |
| 1 | | |



Project:

Part Number: LV-1401

Scale:

Product: LED Strip Series Extrusion

Type:

Date: