

LED Task Star PRO

LTSPRO is constructed with aluminum housing and a matte polycarbonate diffuser. This sleek fixture features edge lit technology which means no hot spots on the polished marble or granite counter top.



FEATURES

- Long lasting 50,000 hours life
- Comes with High / Low Switch
- Low power consumption
- Edge Lit technology eliminates hot spots
- Fast and easy installation – quick connects, captive mounting holes
- Comes with cord and plug as well as knockouts for hardwire
- 3/8" connector provided
- Shallow profile conceals fixture
- Linkable up to 400 watts. Each fixture ships with 8" jumper cable and end-to-end connector
- cETLus and Energy Star listed
- 5 years limited warranty

APPLICATIONS

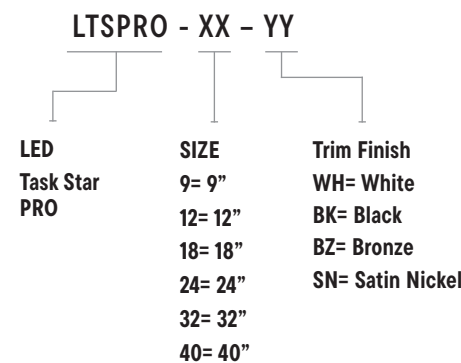
- Under cabinet task light
- Over cabinet accent light
- Display cases and exhibits
- Merchandising
- Indirect accent light
- Wall units and bars

SPECIFICATIONS

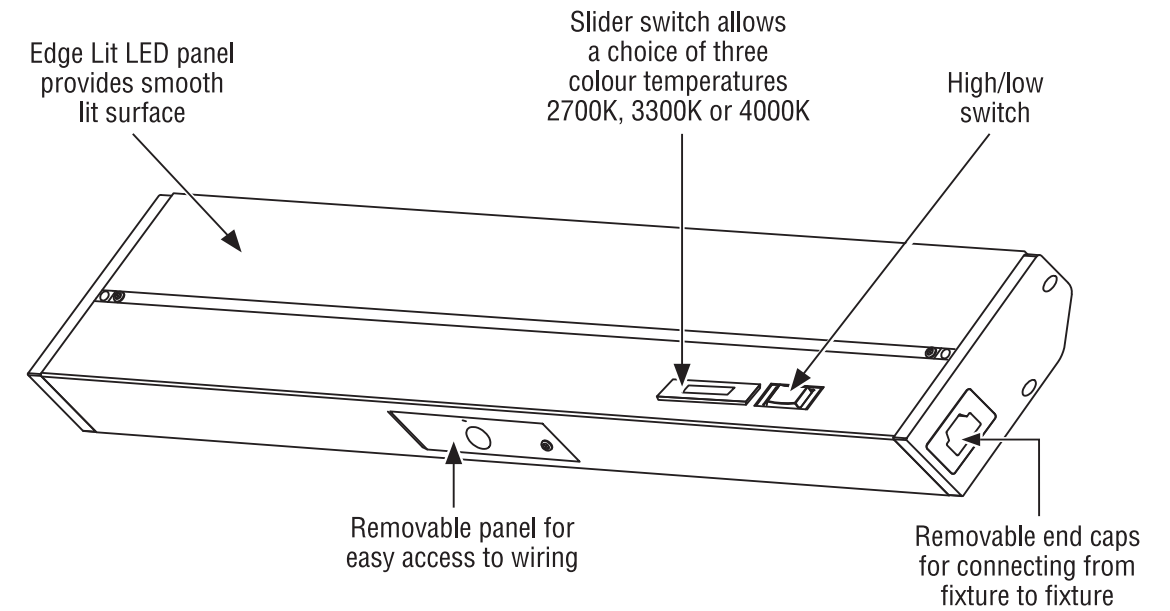
		9"	12"	18"	24"	32"	40"
Product Code	LTSPRO- XX-YY	LTSPRO- 9-YY*	LTSPRO- 12-YY*	LTSPRO- 18-YY*	LTSPRO- 24-YY*	LTSPRO- 32-YY*	LTSPRO- 40-YY*
Electrical	Input Voltage	120V AC					
	Power Consumption	3W	5W	8W	12W	16W	20W
Specs	Colour Temp	2700/3300/4000K					
	CRI	90+					
	Lumens (Output)	200LM	300LM	450LM	700LM	900LM	1000LM
	Dimmable	Yes					
LED	Type	Epistar					
	Life Span	50,000 Hours					
Design	Dimensions (Inches)	9 x 3.5 x 1"	12 x 3.5 x 1"	18 x 3.5 x 1"	24 x 3.5 x 1"	32 x 3.5 x 1"	40 x 3.5 x 1"
	Dimensions (MM)	22.9 x 8.9 x 2.5mm	30.5 x 8.9 x 2.5mm	45.7 x 8.9 x 2.5mm	61 x 8.9 x 2.5mm	81.3 x 8.9 x 2.5mm	101.6 x 8.9 x 2.5mm
	Lens	Matte white polycarbonate					
	Body	Extruded aluminum housing					
	Finish	BK-Black, BZ-Bronze, SN-Satin Nickel, WH-White					
Warranty		5 years limited					
Approvals		cETLus and Energy Star					

*YY = Trim Finish (see below)

PRODUCT CODES



DIAGRAM

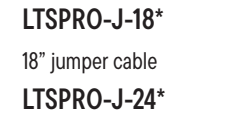


ACCESSORIES



LTSPRO-J-12*

12" jumper cable



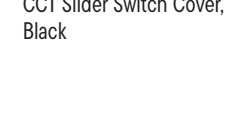
LTSPRO-J-18*

18" jumper cable



LTSPRO-J-24*

24" jumper cable



LTSPRO-J-32*

32" jumper cable



LTSPRO-PC-72*

72" replacement power cord and plug



LTSPRO-JB

Hardwire junction box for LTSPRO fixtures - allows for direct wiring installation, eliminating the visible household wire. Add (-BK) at the end of part number for black finish.



RC-01

3/8" Romex connector

REPLACEMENT PARTS

LTSPRO-SW-BK

CCT Slider Switch Cover, Black

LTSPRO-SW-WH

CCT Slider Switch Cover, White