



TOKISTAR LIGHTING INSTRUCTION MANUAL

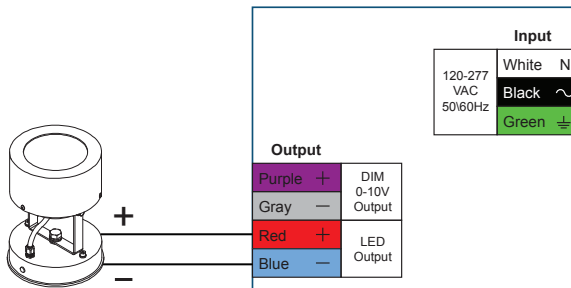
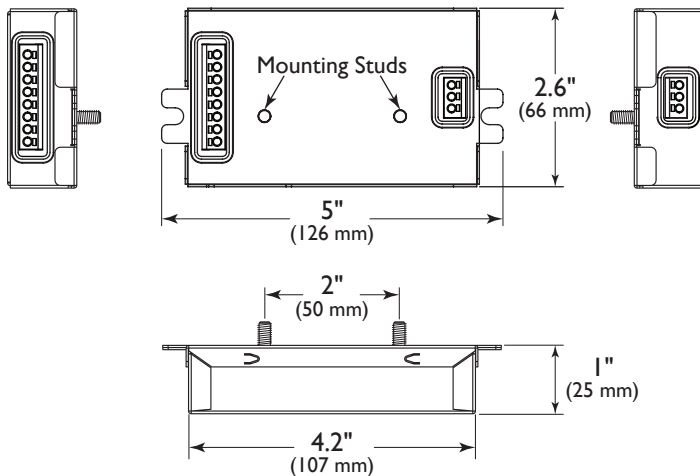
LDRCC-40 LED Driver

700mA

General Description

Tokistar's 40 watt LDRCC-40 constant current LED Driver offers PWM dimming from 0-10 VDC dimming control and has full range dim-to-off capability. This ensures smooth flicker-free operation at all levels.

The input is universal ranging from 100 to 277 VAC 50/60 Hz. The driver may accept wiring from the ends, or be mounted to an enclosure and accept wiring from below.



LDRCC-40 Specifications

Input Range: 100~277VAC
Frequency Range: 50/60 Hz
Output: 3-57 VDC
Current: 700mA
Max. Output Power: 40W
Protection: Overload, Overcurrent, Short Circuit
Over Temperature, Mis-Wiring protection (auto shutdown)
Operating Temperature: -40°C to +50°C

Mechanical Specifications

Dimensions: 5" x 2.6" x 1"
Weight: .38 lbs / 170g
Enclosure Rating: IP21
Mounting: Flange Mount/Stud Mount
Input/Output Connectors: Wago 253/16-20AWG

Safety Standards

Listed to UL8750, UL Class 2, Class P
EMI Compliance: FCC 47CFR Part 15 Class B

LED Capacity

2 to 18 GRHB 2.1 Watt LEDs
1 to 18 O'Links / I'Links 2.1 Watt LEDs
1 to 18 Focal Series 2.1 Watt Fixtures

⚠ PRECAUTIONS

1. Read all instructions completely before beginning installation.
2. Turn off electricity before beginning installation.
3. All wiring is to be performed by a qualified electrician.
4. Installation must comply with the National Electrical Code, and all applicable codes.
5. Do not modify fixtures.
6. Turn main supply to LED driver on only after all connections have been made and tested.
7. The LED driver is rated for dry location only. It must be installed within an enclosure suitable for the environment.

TOKISTAR® LIGHTING INC.

1015 E. Discovery Lane • Anaheim, CA 92801

Tel: 714.772.7005 • Fax: 714.772.7014 • Toll free in USA: 877.340.7633

Email: info@tokistar.com • Website: www.tokistar.com