



Tokistar

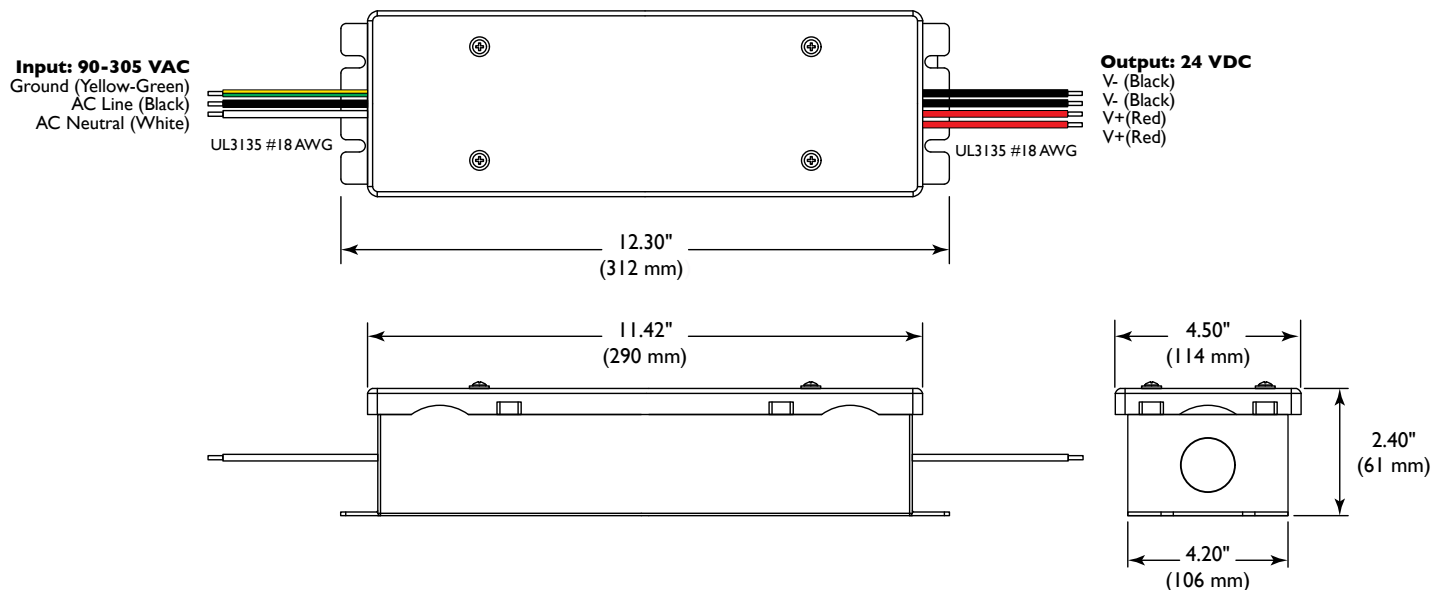
LED Driver Specifications

LDR24-192

LED Driver

Tokistar's LDR24-192 is a 192 Watt UL Listed Class 2 LED Driver with dual 24VDC/96 Watt outputs. The design allows for all DC and AC wiring to be done inside the unit, without the need for external junction boxes. The enclosure is rated Nema 3/IP 65 and suitable for wet locations.

Input range is 90-305 VAC/47-63 Hz, and the output may be adjusted +5% / -30%. Tokistar offers a wide range of dimming options which are installed on the secondary outputs. The primary input is not to be dimmed.



Specifications

Input Range: 90-305 VAC
Frequency Range: 47-63 Hz
Output: 24 VDC (Adjustable +5% / -30%)
Max. Output Current: 8.0A (2 @4.0A)
Max. Output Power: 192W (2 @ 96W)

Mechanical Specifications

Dimensions: 12.3" x 4.5" x 2.4"
Weight: 6 lbs./ 2.55 kg.
Enclosure Rating: NEMA 3/IP 65
Mounting: Flange Mount
Connection: Knockouts for 1/2" Conduit

Tokistar Lighting is ETL Listed when operated with our Class 2 LED Drivers.



TOKISTAR® LIGHTING INC.

1015 E. Discovery Lane • Anaheim, CA 92801

Tel: 714.772.7005 • Fax: 714.772.7014 • Toll free in USA: 877.340.7633
Email: info@tokistar.com • Website: www.tokistar.com



Tokistar

LED Driver Specifications

LDR24-192

LED Driver

Input Specification

Voltage Range	Frequency Range	Max In rush Current	Power Factor
90-305 VAC (100/240/277 VAC Nominal)	47-63 Hz	50A@230 VAC input, 25°C, cold start-up	0.9 min

Output Specification

Max Power	192 W	Transient Response	8 mS, full load to half load, 100 VAC Input
Load Regulation	+/- 1% Max	Short Circuit Protection	Hiccup-Mode, Auto-Recovery upon removal of short circuit condition.
Efficiency	85% typ.	Constant Voltage (CV) Mode Load Regulation	+/- 5% Max (Voltage Setting Adjustable via on-board pot: +5%/-30%)
Noise/Ripple	1.5% of Rated Output Voltage*	Constant-Current (CC) Mode Regulation	+/- 2% Max (Current Setting Adjustable via on-board pot: +5%/-90%)
Start-up Time	2.5 sec. Typical	Over Voltage Protection	132% Max
Hold-up Time	2mS @ full load, 100VAC input	Over Current Protection	Constant-current limiting, Auto-Recovery upon removal of short circuit condition
THD	<25% @ full load	Over temperature Protection	105°C Max, Hiccup-Mode, Auto-Recovery

*All noise measurements made at output terminals, connected to a 20MHz low pass filter.

Environmental Specification

MTBF	Cooling	Operating Temp	Storage Temp	Relative Humidity
55,000 hours (Full load @ 25°C Ambient, Based on MIL-217F)	Convection	-40°C to 60°C (Full load)	-40°C to 85°C	5% - 95 %

Compliance/Safety

EMI/RFI:	CISPR-22 Class B FCC part 15 Class B EN 55015
Safety Standards:	UL 1012/1585, UL8750, UL Class 2 Wet locations , UL 48,cUL, CE, UL #: E342485
Weatherability:	EN60529 NEMA 3/IP 65

Mechanical

NEMA 3 Design with patented AC and DC Wiring compartments, fully potted PCB.

Dimming Options

Tokistar Dimming Controls	Dimming Control
1. LC-1CH-MULTI	<ul style="list-style-type: none"> • 0/1-10V DC • DMX 512 • PWM • Manual Dip Switches
2. LC-1CH-DP	<ul style="list-style-type: none"> • Tokistar LC-DMR

RGB Lighting Control Options

Tokistar Lighting Controls	Dimming Control
1. LC-3CH-DMX	<ul style="list-style-type: none"> • DMX 512
2. LC-3CH-DP	<ul style="list-style-type: none"> • Tokistar LC-3CH-CM

TOKISTAR® LIGHTING INC.

1015 E. Discovery Lane • Anaheim, CA 92801

Tel: 714.772.7005 • Fax: 714.772.7014 • Toll free in USA: 877.340.7633

Email: info@tokistar.com • Website: www.tokistar.com

V1.1