



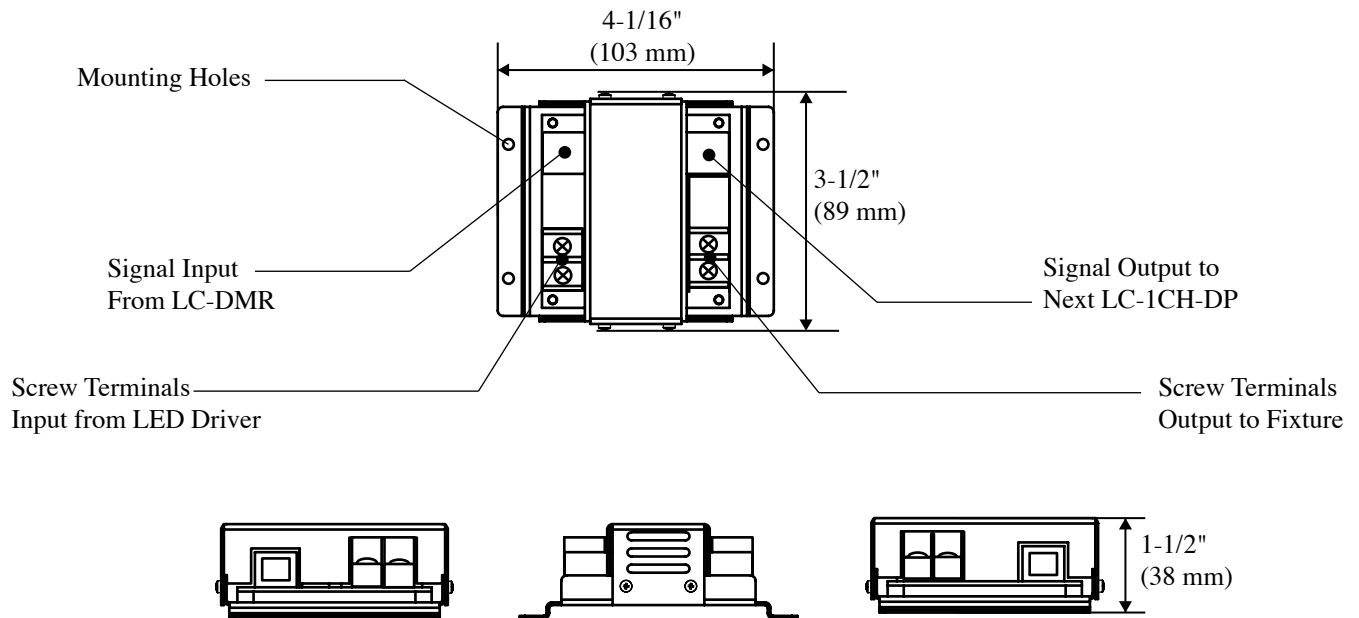
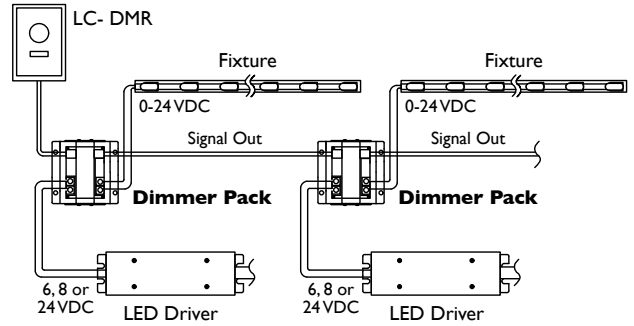
TOKISTAR LIGHTING INSTRUCTION MANUAL

LC Dimming System

Description

The LC Dimming System includes Tokistar's LC-DMR remote wall dimming unit and our LC-1CH-DP single-channel dimmer pack. They are used to dim Tokistar Lighting fixtures with operating voltages of 6, 8 or 24 VDC. The signal input is provided from the LC-DMR. The power input is provided from a Tokistar Class 2 Led Driver with a 6, 8 or 24 VDC output.

The wall dimmer connects to the dimmer packs with CAT5 cable. Up to 25 dimmer packs may be connected in series if the total length of all CAT5 cable does not exceed 165 feet (50 M) from wall dimmer to last dimmer pack.



⚠ PRECAUTIONS

- Read all instructions completely before beginning installation.
- Unit is suitable for Dry Locations Only.
- For use from Tokistar 6, 8 or 24 VDC Class 2 LED Drivers only.
- Installation to be performed by qualified Electrician only.
- Install in accordance with all local codes.
- Do not use any test equipment generating high frequency/voltage such as insulation testing meters.

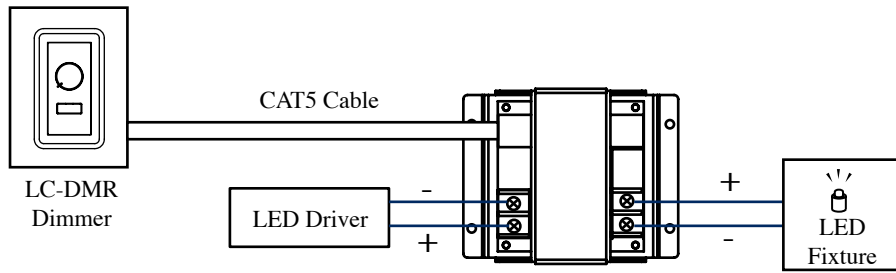
TOKISTAR LIGHTING

1015 E. Discovery Lane
ANAHEIM, CA 92801

TEL: 714 772 7005 FAX: 714 772 7014

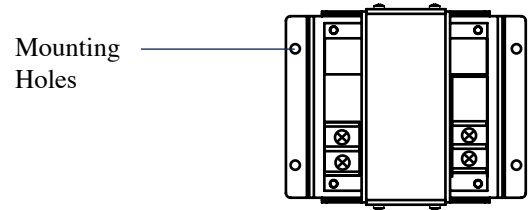
email: info@tokistar.com Website: www.tokistar.com

System Overview



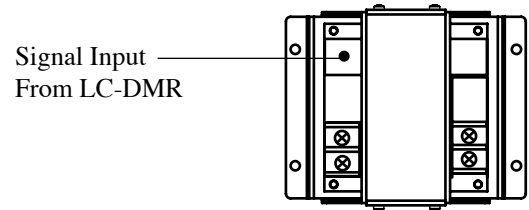
Step 1 - Mounting

Select suitable mounting surface in dry location. Mount dimmer pack with screws through mounting holes provided on flanges.



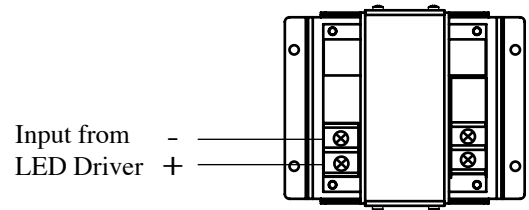
Step 2 - Connecting Dimmer

Connect LC-DMR dimmer to signal input with the 50 ft. RJ45-CAT5 cable supplied with the dimmer.



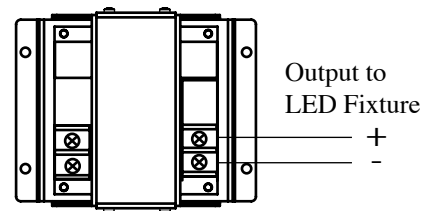
Step 3 - Connecting Power Input

With power off, connect input wires from a 6, 8 or 24 VDC Class 2 LED Driver to input terminals. Note polarity when making connection.



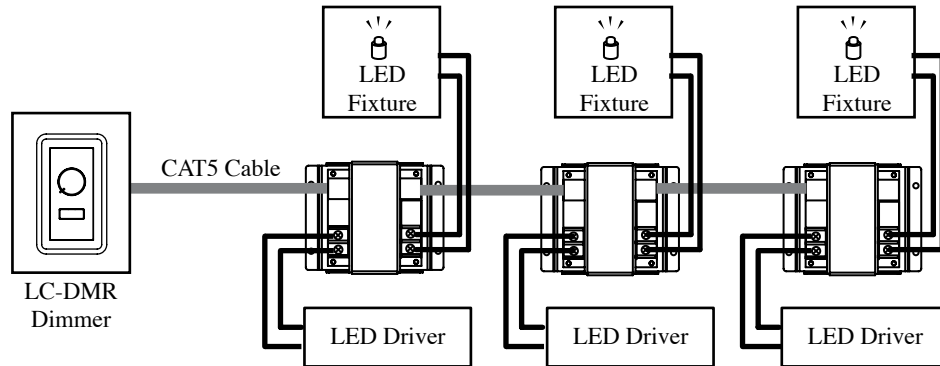
Step 4 - Connection to Fixtures

With power off, connect output wires from output terminals to LED Fixtures. Note polarity when making connection, and do not exceed rating of unit (30 watts @ 6 VDC, 40 watts @ 8 VDC or 96 watts @ 24 VDC).



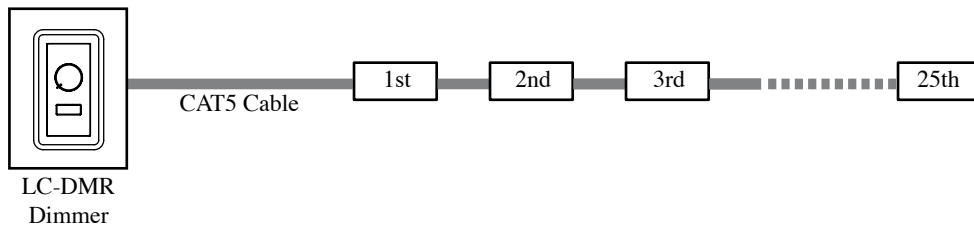
Step 5 - Multiple Dimmers

Multiple Dimmer Packs can be connected in line using the RJ45-CAT5 cables supplied with each dimmer pack.



Note: For LED Drivers with dual outputs, a dimmer pack is required for each output.

The wall dimmer connects to the dimmer packs with CAT5 cable. Up to 25 dimmer packs may be connected in series if the total length of all CAT5 cable does not exceed 165 feet (50 M) from wall dimmer to last dimmer pack.



TOKISTAR LIGHTING

1015 E. Discovery Lane
ANAHEIM, CA 92801
TEL: 714 772 7005 FAX: 714 772 7014
email: info@tokistar.com Website: www.tokistar.com