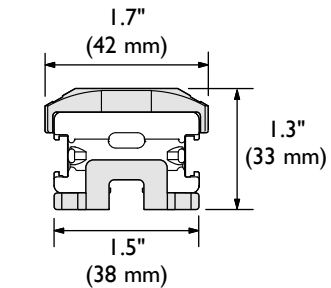
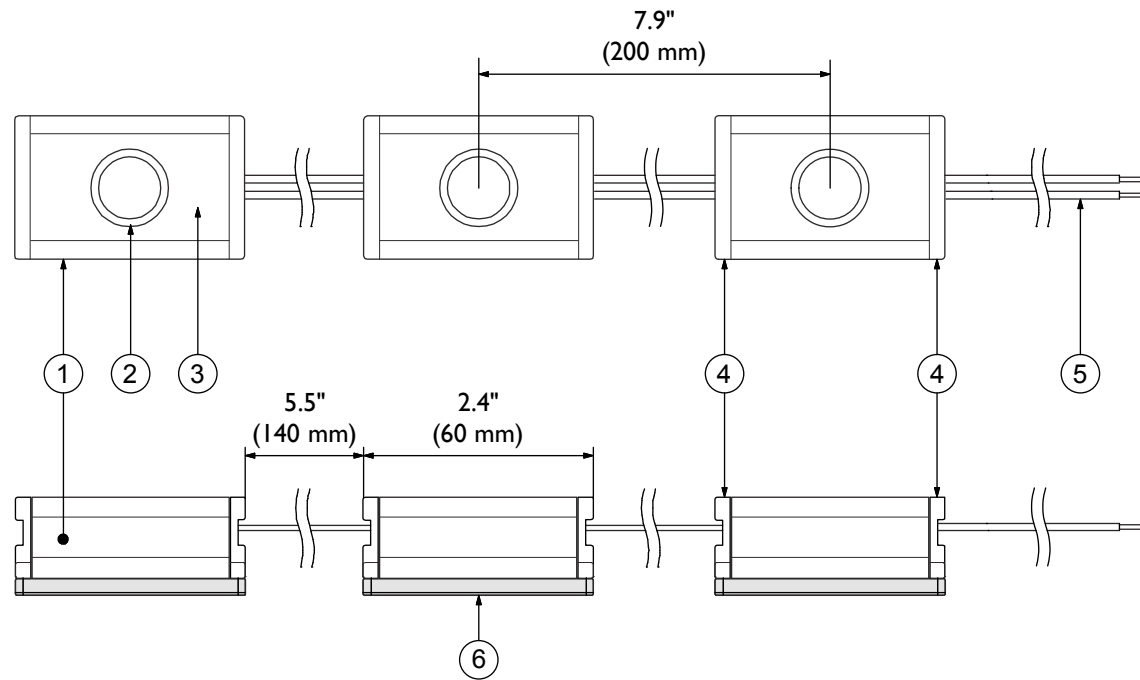
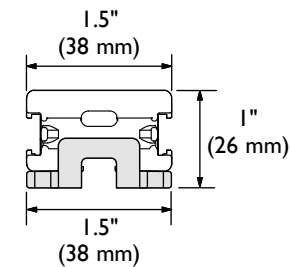


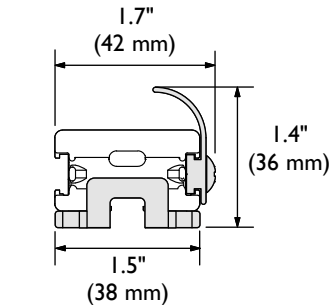
# I'Links Series Submittal with Fixed Bracket



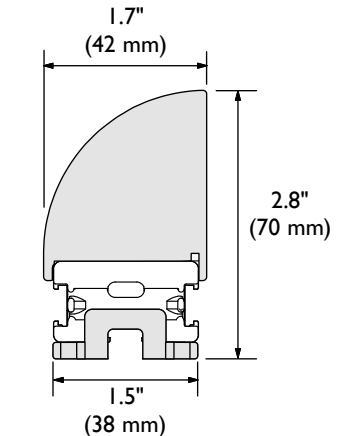
Fixed Bracket with Honeycomb Louver



Fixed Bracket



Fixed Bracket with Glare Guard



Fixed Bracket with Vertical Louver

Catalog#	Watts Per Module	Max. Length	Weight Per Module
IL-(2700, 3000, 4000)-(8D, 15D, SP)-FB	2.1	18 Modules (37.8W)	61g
IL-(2700, 3000, 4000)-(8D, 15D, SP)-FB-VL	2.1	18 Modules (37.8W)	79g
IL-(2700, 3000, 4000)-(8D, 15D, SP)-FB-HL	2.1	18 Modules (37.8W)	64g
IL-(2700, 3000, 4000)-(8D, 15D, SP)-FB-GG	2.1	18 Modules (37.8W)	73g

Lens Code  
 8D = 8°  
 15D = 15°  
 SP = Spread Lens

I'Links Series Specifications	
Current: 700mA	
Power: 2.1 W Per LED	
CRI Value: 85	
Color	Output
2700K	150 Lm Per LED
3000K	160 Lm Per LED
4000K	180 Lm Per LED



**TOKISTAR LIGHTING INC.**  
 1015 E. DISCOVERY LANE  
 ANAHEIM, CA 92801  
 TEL: 714 772 7005 FAX: 714 772 7014  
 email: info@tokistar.com Website: tokistar.com

I'Links Series Submittal with Fixed Bracket	No.	Part	Material
Catalog#: IL-(2700, 3000, 4000)-(Lens Code)-FB-(VL, HL, GG)	1	Extrusion	Anodized Aluminum
Date: December 1, 2018	2	LED	Solid State LED
Drawn By: R. Cordova	3	Cover	Polycarbonate
Scale: 1:2	4	End Plate	Polycarbonate
	5	Lead Wire	#18 AWG x 2
	6	Fixed Bracket	Polycarbonate