



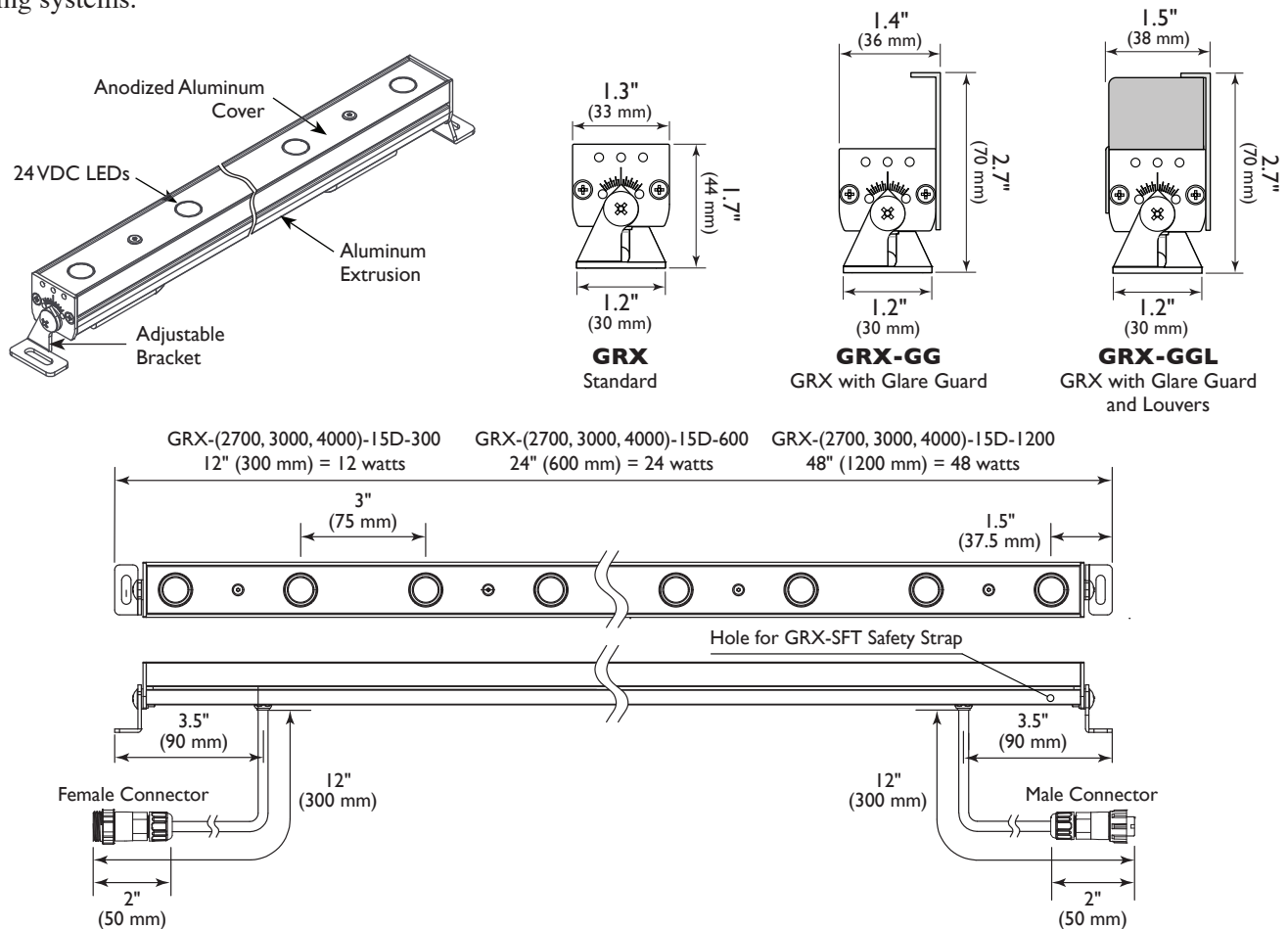
TOKISTAR LIGHTING INSTRUCTION MANUAL

Gradient GRX Series

24 VDC

General Description

Tokistar's GRX Series is a 24 VDC lighting system with 3 watt LED light sources designed for interior and exterior use. LED spacing is 3" (75 mm) o.c. with end spacings of 1.5" (37.5 mm) o.c. to ensure a continuous effect when fixtures are positioned end-to-end. Each GRX fixture is labeled with its appropriate load. GRX operates from a Class 2 LED Driver. Tokistar offers all the components necessary to dim the GRX Series from industry-standard DMX or 0/1-10VDC dimming systems.



⚠ PRECAUTIONS

1. Read all instructions completely before beginning installation.
2. Turn off electricity before beginning installation.
3. All wiring is to be performed by a qualified electrician.
4. Installation must comply with the National Electrical Code, and all applicable codes.
5. Turn main supply to LED Driver on only after all connections have been made and tested.
6. Use only LED Drivers provided by Tokistar with the system.

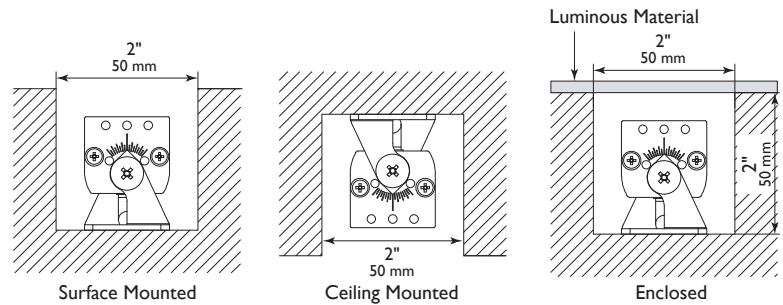
TOKISTAR® LIGHTING

1015 E. Discovery Lane
Anaheim, CA 92801

TEL: 714 772 7005 FAX: 714 772 7014
email: info@tokistar.com Website: tokistar.com

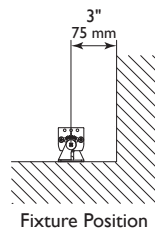
Minimum Space Requirements

For recessed installations, the dimensions indicated to the right are the minimum spaces required. This allows enough air circulation to prevent heat build up.



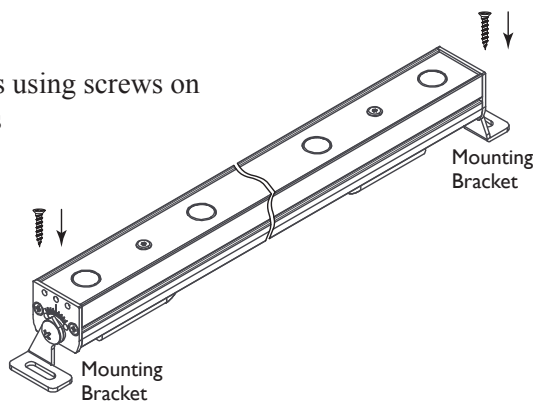
Wall Grazing (Distance from the Wall)

To prevent scalloping, position the center of the fixture a minimum of 3" from the surface to be illuminated.



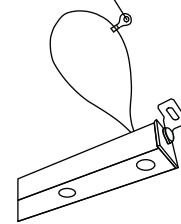
Mounting

Securely mount fixtures using screws on both mounting brackets



Part #: GRX-SFT Safety Strap

Secure with Screw



Our Safety Strap should be secured to fixtures pointing downward.

GRX Connectors

Part #: GRX-CON

In non-dimming applications each run of GRX receives this feed connector with a 10 Ft. (3 M) lead.

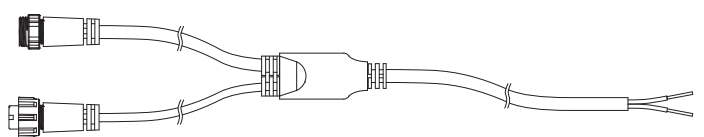
Female Connector



Part #: GRX-Y-CON

In dimming applications this Y-Connector with a 20 Ft. (6 M) lead wire is attached to opposing ends of fixtures.

Female Connector



Male Connector

Part #: GRX-EXT-1M (3 Ft. length)

Part #: GRX-EXT-3M (10 Ft. length)

Extension cables extend the distance between fixtures and may be added to GRX-CON and GRX-Y-CON connectors to reach remote LED Driver locations.

Female Connector

Male Connector

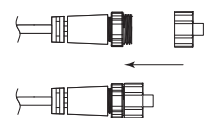


Part #: GRX-EC

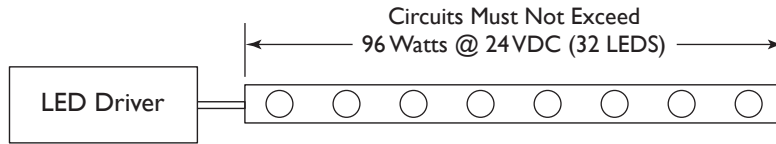
End Cap insulates a female connector at the end of a run.

Female Connector

End Cap



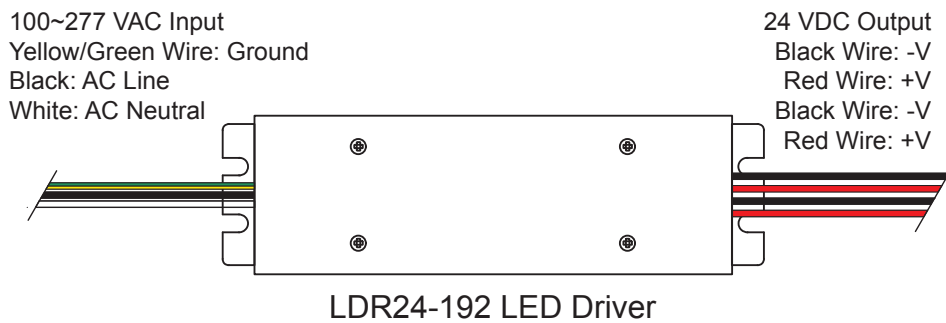
Secondary Circuit Limitation



Part#: LDR24-192

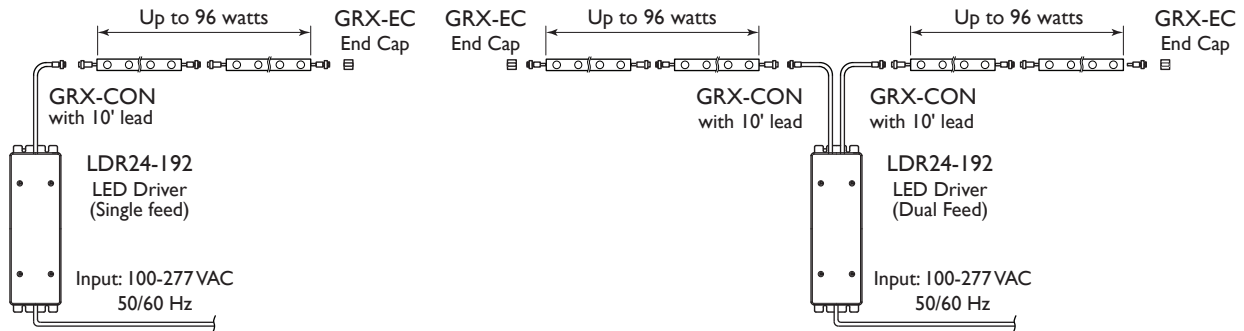
Tokistar’s LDR24-192 has two independent 96 watt outputs. The unit has wiring compartments for splicing on input and output leads, and can be connected directly to conduit. The enclosure is suitable for wet locations and rated IP65. Refer to the manual provided with the LED Driver for detailed installation instructions.

Part#	Input Volts	Output Volts	Output Ratings	Capacity
LDR24-192	100~277	24VDC	2 @ 4.0 Amps	64 LED Modules / 32 per Output



Non-Dimming Diagrams

The maximum load of fixtures from each output of a driver is 96 watts. The maximum run length of a secondary circuit including fixture lengths, feed connector and extension cables is not to exceed 80 Ft. (24 M).

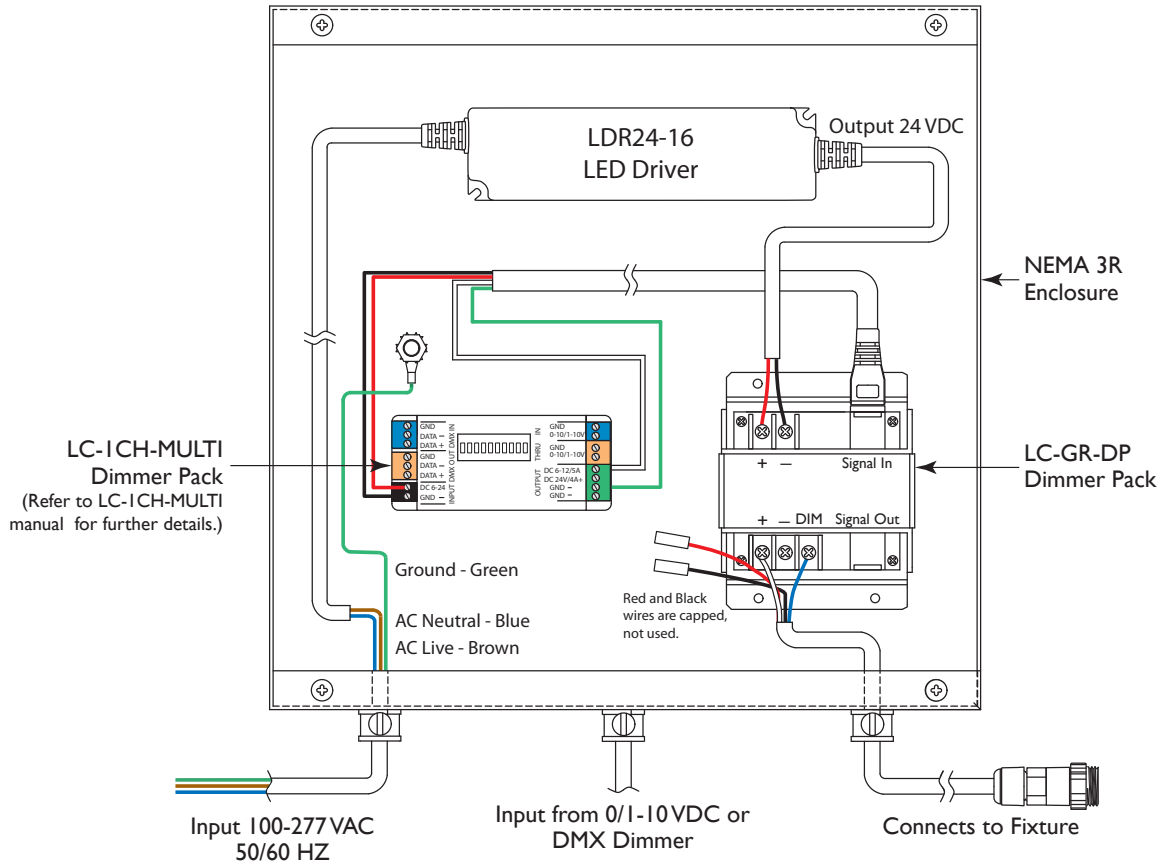


GRX Dimming System

GRX Dimmer Box

Part #: GRX-DP

GRX Series can be dimmed with industry-standard DMX or 0/1-10 VDC protocols. A Dimmer Box can control entire zones of up to 55 independent fixtures. For ease of installation, the unit is shipped prewired. GRX Dimmer Boxes are ETL Listed and suitable for wet locations. Dimensions: 12.25" (310 mm) x 12" (300 mm) x 4.5" (115 mm)



Dimming Diagram

The maximum number of fixtures connected to a dimmer box is 55 pieces. This limitation applies to the combination of all fixture lengths of 12" (300 mm), 24" (600 mm) and 48" (1200 mm).

