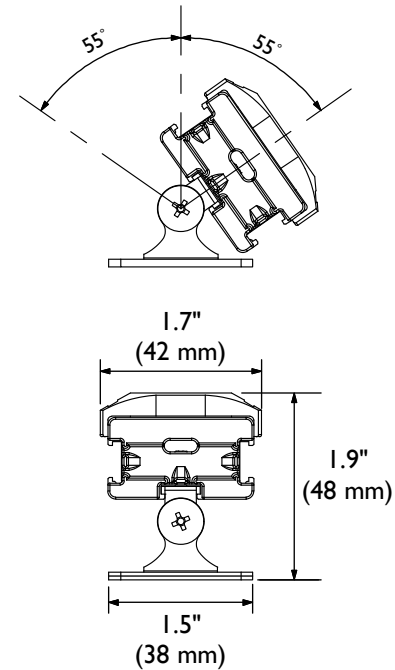
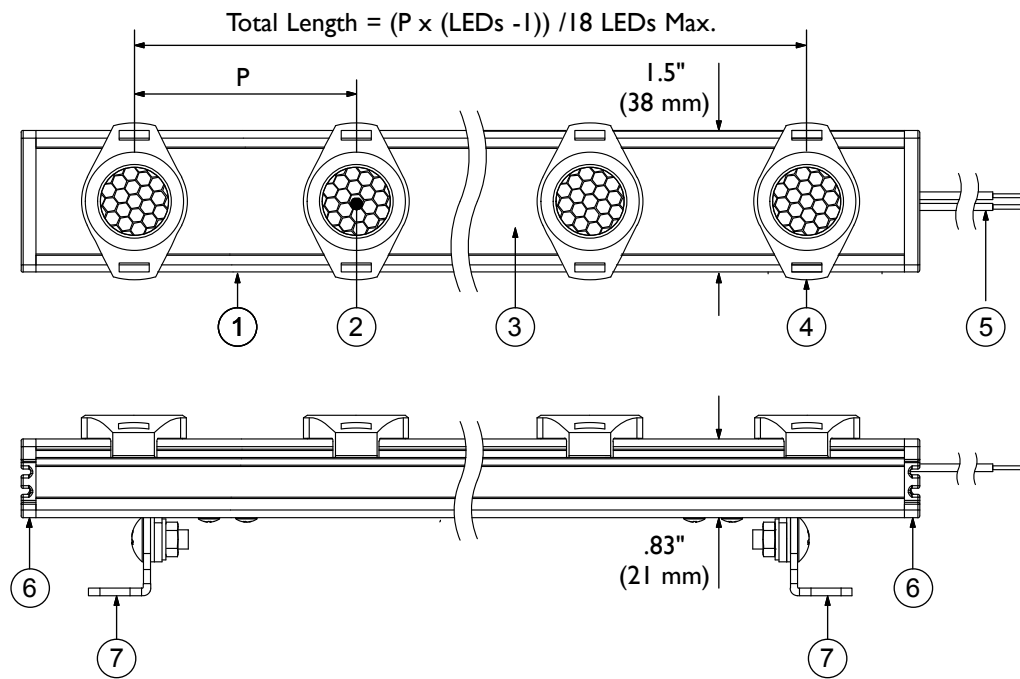


# GRHB with Adjustable Bracket and Honeycomb Louver



Catalog#	P (INCH)	Max. Length
GRHB-60-(2700, 3000, 4000)-(8D, 15D, SP)-AB-HL	2.4 ± .12	42.5"
GRHB-75-(2700, 3000, 4000)-(8D, 15D, SP)-AB-HL	3 ± .12	53"
GRHB-100-(2700, 3000, 4000)-(8D, 15D, SP)-AB-HL	4 ± .12	71"

Lens Code  
 8D = 8°  
 15D = 15°  
 SP = Spread Lens

GRHB Series Specifications	
Current: 700mA	
Power: 2.1 W Per LED	
CRI Value: 85	
Color	Output
2700K	150 Lm Per LED
3000K	160 Lm Per LED
4000K	180 Lm Per LED



## TOKISTAR LIGHTING INC.

1015 E. DISCOVERY LANE  
 ANAHEIM, CA 92801  
 TEL: 714 772 7005 FAX: 714 772 7014  
 email: info@tokistar.com Website: tokistar.com

GRHB with Adjustable Bracket Submittal	No.	Part	Material
Catalog#: GRHB-_(2700, 3000, 4000)-(Lens Code)-AB-HL	1	Extrusion	Black Anodized Aluminum
Date: December 1, 2018	2	LED	Solid State LED
Drawn By: R. Cordova	3	Cover Plate	Black Anodized Aluminum
Scale: 1:2	4	Honeycomb Louver	Polycarbonate
	5	Lead Wires	#18 AWG x 2
	6	End Cap	Polycarbonate
	7	Adjustable Bracket	Stainless Steel