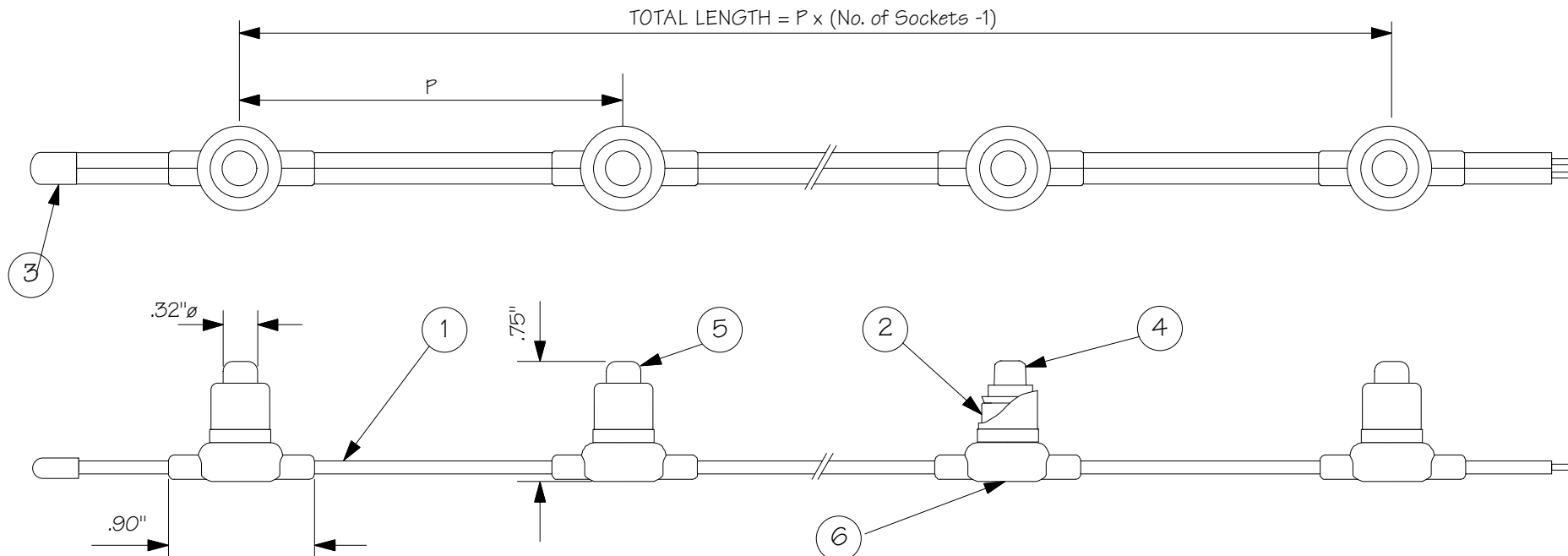


FL SERIES-0.2 WATT KINETIC TOKILEDS®



CATALOG#	P (INCH)	MAX. LENGTH
FLBK-60-(LED CODE)-(WP)	2.4 ± .20	40 FT.
FLBK-110-(LED CODE)-(WP)	4.25 ± .20	63 FT.
FL(BK,WG,GR)-160-(LED CODE)-(WP)	6.25 ± .20	75 FT.
FLBK-210-(LED CODE)-(WP)	8.25 ± .20	87 FT.
FL(BK,WG,GR)-310-(LED CODE)-(WP)	12.25 ± .20	106 FT.
FLBK-410-(LED CODE)-(WP)	16.25 ± .20	122 FT.

0.2 WATT KINETIC TOKILEDS® 8VDC/25.0mA			
PART#	LED CODE	COLOR	EFFECT
KLED-WW-SF	KLED-WW-SF	2400K WHITE	SLOW-FLASH/0.5 Hz
KLED-WW-CF	KLED-WW-CF	2400K WHITE	CROSS-FADE
KLED-IW-FF	KLED-IW-FF	3000K WHITE	FAST-FLASH/4Hz
KLED-IW-SF	KLED-IW-SF	3000K WHITE	SLOW-FLASH/0.5Hz
KLED-IW-CF	KLED-IW-CF	3000K WHITE	CROSS-FADE

CABLE COLOR CODE: BK=BLACK, WG=WARM GREY
 WARM GREY AVAILABLE IN 6.25", 8.25" AND 12.25" ONLY
 WP=OPTIONAL SILICONE CAP FOR OUTDOOR USE



TOKISTAR LIGHTING INC.

1015 E. DISCOVERY LANE
 ANAHEIM, CA 92801
 TEL: 714 772 7005 FAX: 714 772 7014
 email: info@tokistar.com Website: tokistar.com

FL SERIES SUBMITTAL

CATALOG#: FL(BK,WG)-_(LED CODE)-(WP)

DATE: JANUARY 1, 2015

DRAWN BY: R. CORDOVA

SCALE: 1:1

WEIGHT: 15g/ft.

NO.

PART

MATERIAL

1

WIRE

PVC INSULATION WITH #18 AWG X2

2

LAMP SOCKET

POLYCARBONATE WITH PLATED COPPER CONTACTS

3

END CAP

PVC

4

LED

SOLID STATE LED

5

SILICONE CAP

SILICONE (CLEAR)

6

INSULATION

HOT MELT