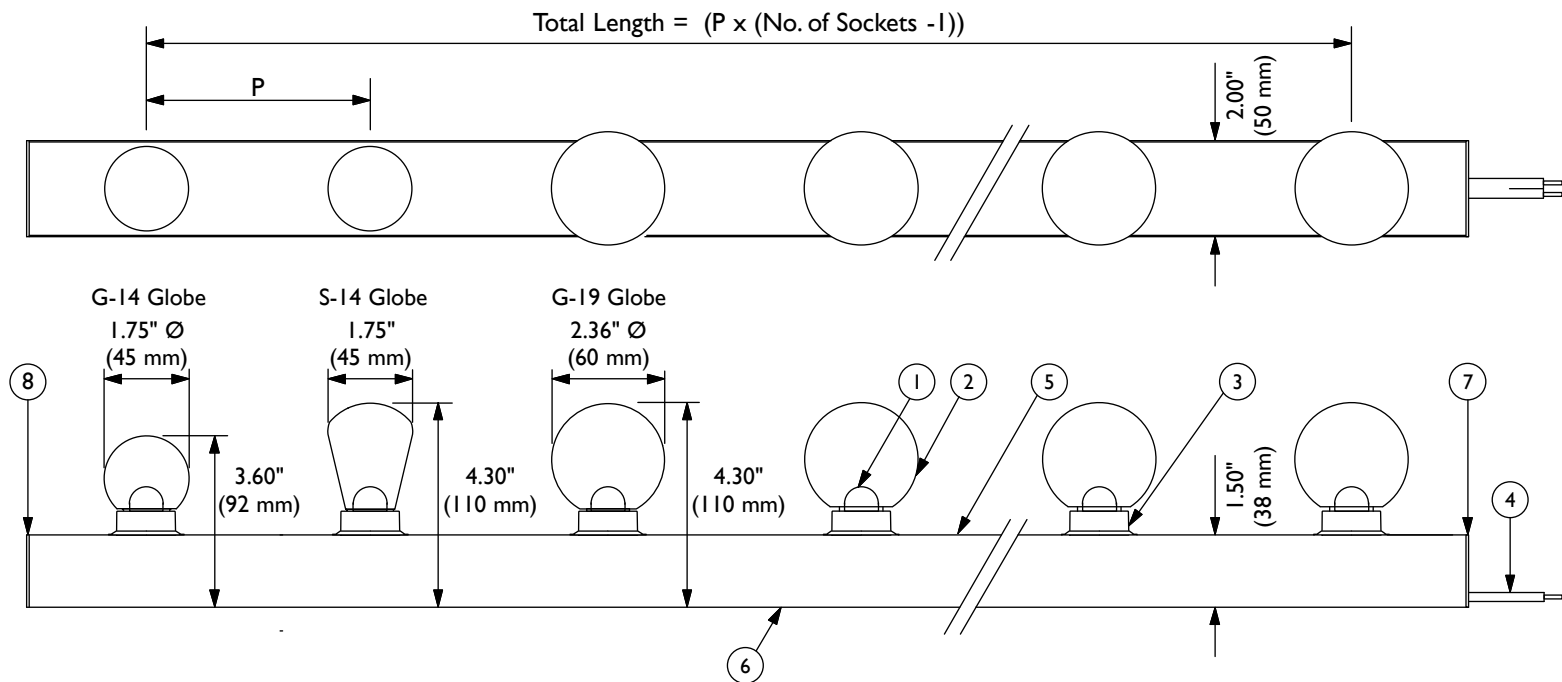


EXCL Series 1.5" x 2" / 0.48 watt LEDs



Catalog#	P(Inch)	Extrusion Length	Maximum Length
EXCL-6-(LED Code)-(G-14, S-14, G-19)-(C,F)	6" ± .075	10 Ft. (3 M)	250' (76 M)
EXCL-12-(LED Code)-(G-14, S-14, G-19)-(C,F)	12" ± .075	10 Ft. (3 M)	350' (106 M)
EXCL-18-(LED Code)-(G-14, S-14, G-19)-(C,F)	18" ± .075	10 Ft. (3 M)	420' (128 M)

- C = Clear Globe, F = Frosted Globe
- Standard Extrusion Finish is Satin Aluminum
- Custom Finishes Available upon request

0.48 Watt EX-LED 24VAC/20.0mA			
Part#	LED Code	Color	Lumen
EX-WW	WW	2500K White	12.5Lm
EX-WH	WH	5500K White	18.0Lm
EX-BL	BL	Blue	1.4Lm
EX-GR	GR	Green	4.6Lm
EX-OR	OR	Orange	2.5Lm
EX-PL	PL	Purple	3.8Lm
EX-RD	RD	Red	2.6Lm
EX-YG	YG	Yellow-Green	8.0Lm



TOKISTAR LIGHTING INC.

1015 E. DISCOVERY LANE
ANAHEIM, CA 92801
TEL: 714 772 7005 FAX: 714 772 7014
email: info@tokistar.com Website: tokistar.com

EXC Series Submittal	No.	Part	Material
Catalog#: EXCL-_(LED Code)-(G-14, S-14, G-19)-(C,F)	1	LED	Solid-State LED
Date: February 1, 2020	2	Globe	Polycarbonate
Drawn By: R. Cordova	3	Socket	PBT
Scale: 1:4	4	#12 AWG Wire	PVC with Plated Copper Conductor x 2
Weight: 400g/0.88 lb per Ft. @ 6" O.C.	5	Extrusion Cover	Aluminum
	6	Extrusion Base	Aluminum
	7	End Cap (Live End)	Aluminum
	8	End Cap (Dead End)	Aluminum