

Specifications

Wattage: 20W

Voltage: 24V

Casing: Electrical Junction Box 4 x 4"
Class 2 and UL879 Recognized
Single output
IP 66 compliant
Input range: 100~304 VAC

Input: 100-240V AC

Frequency: 37 to 63 Hz

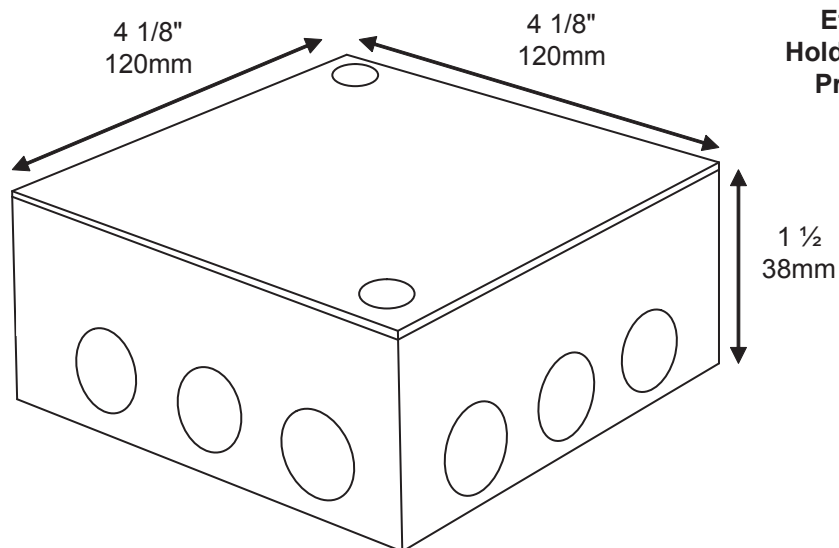
Crest Factor: 1.5 max.

Inrush Current: 10.0 Amps max. at 230VAC, colt star 25°C

Efficiency: 85% typical at max. load

Hold up time: Half cycle min. at 120VAC and 8-% of rated load

Protection: Over-voltage, over current and short circuit protection: Auto recovery



Revisions:

4		
3		
2		
1		



MAGIC LITE LTD.

Project:

Part number: MLDR-20-24JB

Scale: NTS

Product: LED DRIVER, 20W, 24V DC, IN J-BOX

Type:

Date: