

5CCT LED Thin Line Down Light (Square)

Designed with a sleek square shape, this down light offers versatility, affordability, and adjustable 5 color temperatures.



FEATURES

- TRIAC dimmable
- 120° beam spread
- Adjustable colour temperature
- Two spring loaded clips to attach to any ceiling material
- White finish (interchangeable: brushed nickel, black, bronze trim rings available - sold separately)
- Wet locations listed
- Temperature rating: -20°C to 45°C
- No IC can required, for direct contact with insulation and combustible materials
- Connects directly to 120V power supply
- Optional 347V Step-Down
- Transformer (non-dimmable)

APPLICATIONS

- Kitchens & pantries
- Laundry rooms
- Bathrooms
- Lobbies & hallways
- Banquet halls & elevators
- Retail lighting
- Offices & restaurants

SPECIFICATIONS

Size	4 Inches	6 Inches
Product Code	DL-5CCT-4S-WH	DL-5CCT-6S-WH
Electrical	Input Voltage	120V AC
	Power Consumption	9W / 12W
Specs	Color Temperature	2700/3000/3500/4000/5000K
	Lumen Output	630 / 840
	Efficacy	70LM/W
	CRI	90
	Dimmable	Yes (TRIAC)
	Beam Angle	120°
LED	Type	Epistar
	Life Span	50,000 Hours
Design	Dimensions (Inches)	4.1 x 4.7 x .4" / 6.3 x 6.8 x .4"
	Dimensions (Millimeters)	103 x 120 x 11.3mm / 159 x 171.5 x 11.3mm
	Installation Hole Size	4.33" (110mm) / 6.30" (160mm)
	Finish	White
	Trim Finish	BK: Black, BZ: Bronze, BN: Brushed Nickel
	Operating Temperature	-20°C to 45°C
	Approved Location	Wet
	Mounting	Ceiling via spring loaded clips
Warranty	5 years	
Approvals	cETLus and Energy Star	

PRODUCT CODES

DL-5CCT-YY-WH

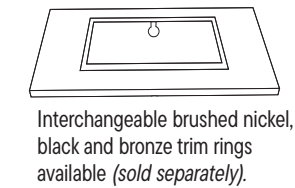
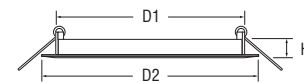
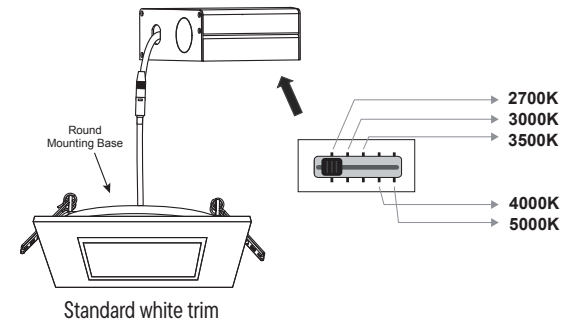
5CCT LED Thin-Line Down Lights
 SIZE (Square)
 4S: 4"
 6S: 6"

SQUARE TRIM RINGS (Sold Separately)

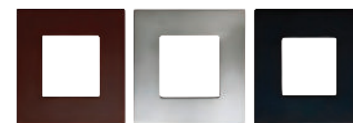
LVLDL - 04S - TR - XX - L3
 LVLDL - 06S - TR - XX - L3

TRIM RING FINISH
 BK: Black, BZ: Bronze, BN - Brushed Nickel

DIAGRAM



ACCESSORIES



LVLDL-YY-S-TR-XX-L3
 Square Shaped Trim Rings For 5 CCT LED Thin Line Down Light (sold separately).

CONSTRUCTION PLATES

