

5CCT LED Gimbal Down Light

Ideal for directional lighting in both remodels and new constructions, 5CCT LED Gimbal Down Lights provide a flexible and cost-effective option across a broad range of uses.



FEATURES

- 120V AC input voltage
- TRIAC dimmable
- Low power consumption: 8/ 14/18W
- Available in 3", 4" and 6"
- Luminous flux: 600-650LM/ 950-1000LM/ 1150-1200LM
- CCT adjustable: 2700/ 3000/ 3500/4000/ 5000K
- 30,000 hour life
- 360° rotation
- Beam angle: 38°
- Tilting angle: 90°
- 90CRI
- cETLus, Energy Star certified
- 5 years limited warranty
- Airtight

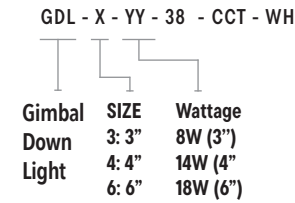
APPLICATIONS

- | | |
|--------------------|-------------------|
| RESIDENTIAL | COMMERCIAL |
| • Kitchens | • Lobbies |
| • Pantries | • Hallways |
| • Laundry rooms | • Elevators |
| • Bathrooms | • Stairways |
| | • Retail |
| | • Restaurants |
| | • Office lighting |

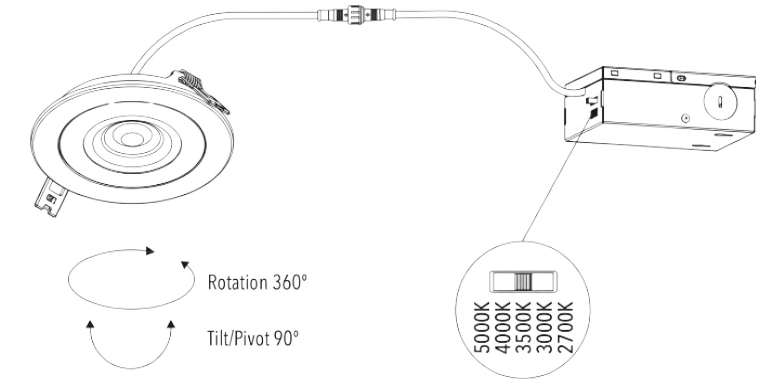
SPECIFICATIONS

Size	3 Inches	4 Inches	6 Inches
Product Code	GDL-3-8W-38-CCT-WH	GDL-4-14W-38-CCT-WH	GDL-6-18W-38-CCT-WH
Electrical	120V AC		
Input Voltage	120V AC		
Power Consumption	8W	14W	18W
Specs	2700/3000/3500/4000/5000K		
Color Temperature	2700/3000/3500/4000/5000K		
Luminous Flux	600-650LM	950-1000LM	1150-1200LM
CRI	90+		
Dimmable	Yes, TRIAC dimmable		
Beam Angle	38°		
Rotation	360°		
Tilting Angle	90°		
LED	High Brightness COB LED		
Type	High Brightness COB LED		
Life Span	30,000 Hours		
Design	White		
Finish	White		
Operating Temperature	-20°C to 40°C		
Approved Location	Indoor/Outdoor		
Mounting	Ceiling via spring loaded clips		
Warranty	5 years		
Approvals	cETLus and Energy Star		

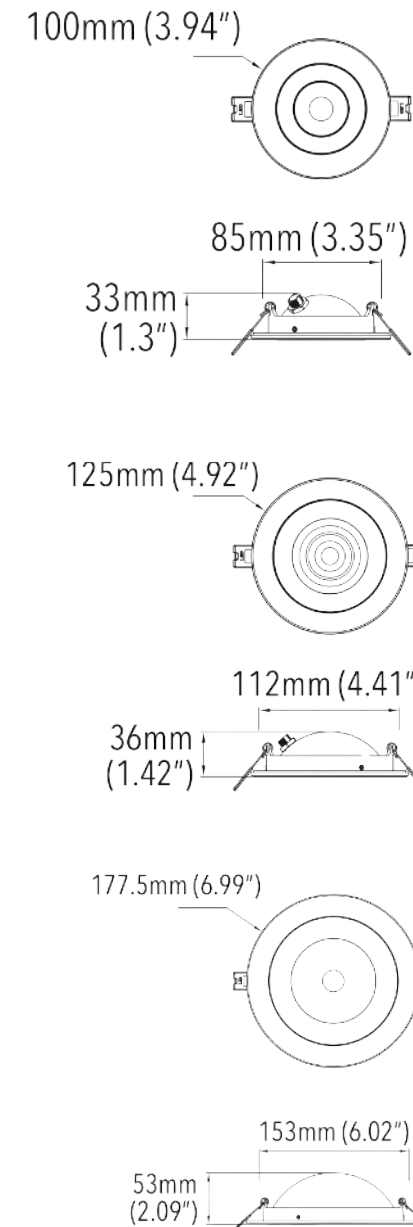
PRODUCT CODES



DIAGRAM



DIMENSIONS



CONSTRUCTION PLATES

